

RHOMBUS



390

390Q  
(Swivel with Total Lock)  
390R  
(Swivel with Total and  
Position Lock)

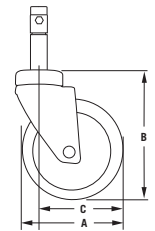


**APPLICATIONS**

- Care beds
- Hospital beds
- Intensive care beds
- OR beds and tables
- Stretchers
- Gurneys

**FEATURES**

- Stamped and drawn horn assembly
- Zinc-plated
- Double ball raceway that's sealed
- Plastic seal protects from dust and water
- Integrated selection mechanism with total lock brake "Q" and position locking brake "R"
- Selection mechanism continually greased
- Brake adjustment feature is standard

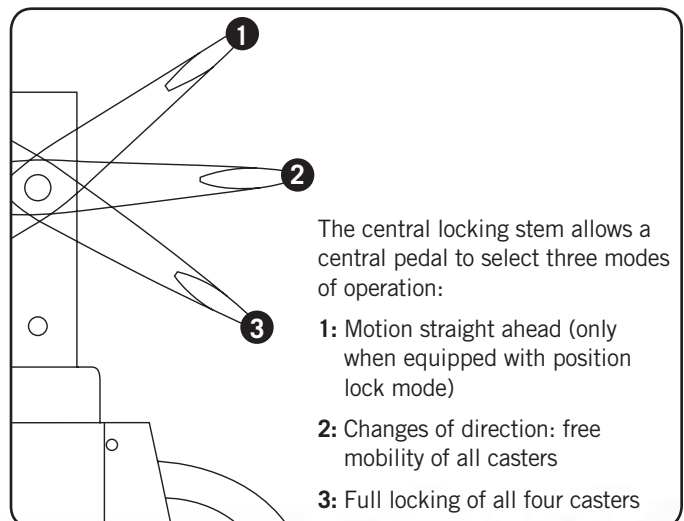


**▼ DIMENSIONS**

**390 Series**

<b>A:</b> Wheel Diameter	3" (80mm)	4" (100mm)	5" (125mm)
<b>B:</b> Overall Height	4 1/2" (113mm)	5 1/4" (133mm)	6 1/4" (158mm)
<b>C:</b> Swivel Radius	3 1/4" (84mm)	3 1/2" (92mm)	4 1/4" (107mm)
<b>A:</b> Wheel Diameter	6" (150mm)	8" (200mm)	
<b>B:</b> Overall Height	7 1/4" (184mm)	9 1/4" (237mm)	
<b>C:</b> Swivel Radius	5" (126mm)	6 1/4" (161mm)	

**▼ PEDAL SETTINGS**



RHOMBUS



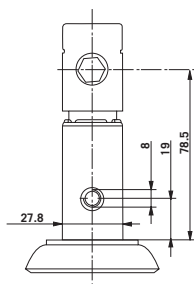
390

▼ SPECIFICATIONS

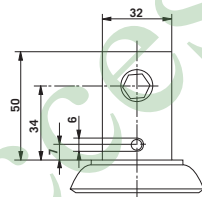
Wheel Diameter	Tread Width	Wheel Material	Wheel Bearing	Load Cap (lb)	Stem (78.5mm)	EDP	Stem (34mm)	EDP
3" (80mm)	1 1/4" (32mm)	TPR	Precision	220	390Q35K080RZ2351	06698	390Q35K080RZ985	02128
3" (80mm)	1 1/4" (32mm)	TPR	Precision	220	390R35K080RZ2351	02014	390R35K080RZ985	02132
4" (100mm)	1 1/4" (32mm)	TPR	Precision	220	390Q35K100RZ2351	02010	390Q35K100RZ985	02129
4" (100mm)	1 1/4" (32mm)	TPR	Precision	220	390R35K100RZ2351	02015	390R35K100RZ985	02133
5" (125mm)	1 1/4" (32mm)	TPR	Precision	220	390Q35K125RZ2351	06680	390Q35K125RZ985	06027
5" (125mm)	1 1/4" (32mm)	TPR	Precision	220	390R35K125RZ2351	06681	390R35K125RZ985	02134
6" (150mm)	1 1/4" (32mm)	TPR	Precision	220	390Q35K150RZ2351	02012	390Q35K150RZ985	02130
6" (150mm)	1 1/4" (32mm)	TPR	Precision	220	390R35K150RZ2351	02017	390R35K150RZ985	02135
8" (200mm)	1 1/4" (32mm)	TPR	Precision	220	390Q35K200RZ2351	02013	390Q35K200RZ985	02131
8" (200mm)	1 1/4" (32mm)	TPR	Precision	220	390R35K200RZ2351	02018	390R35K200RZ985	02136

The measurements in millimeters are exact.

To order 32C wheel change 35K to 32C.

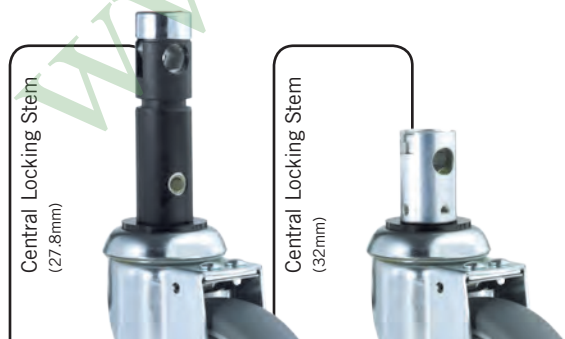


- Stem diameter 27.8mm
- Two locking hole options available
- Locking hole in line or across direction of travel
- Four fixing holes
- Snap-on adapter sleeves available for different tube dimensions

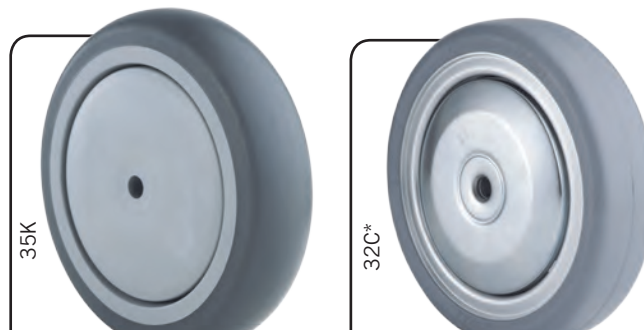


- Stem diameter 32mm
- Two locking hole options available
- Locking hole in line or across direction of travel
- Four fixing holes

▼ MOUNTING OPTIONS



▼ WHEEL OPTIONS



For grey rubber on metal disk change 35K to 32C