

A100

SERIES

Medium-Heavy Duty Industrial

Load Capacity: 350 to 1000 lbs.

Quality Features

- LARGE DIAMETER SWIVEL RACEWAY.**
 Both upper main load bearing and lower thrust bearing utilize large diameter raceways and 5/16" hardened steel ball bearing for easy maneuvering under heavy loads. Hydraulically staked 5/8" king pin provides years of trouble-free service.
- EXTRA-STRONG CONTINUOUSLY WELDED SIDE LEGS.**
 Yoke legs are formed from 1/4" thick steel and made wider to handle constant abuse from side thrust. Both sides are continuously welded to yoke base for added strength and endurance.
- HEAT-TREATED MOVING PARTS.**
 All moving parts are heat treated to a precise molecular depth and Rockwell hardness using a gas carbonizing process that extends caster life under rugged conditions and shock loads.
- STANDARD SIZES AND DIMENSIONS.**
 Standard top plate and slotted bolt hole pattern conforms to industry standards for quick and simple retrofitting. Replacement parts such as wheels, bearings, bushings and axles are also common sizes and readily available.

Popular, economical series for a wide variety of industrial applications. Cold forged construction utilizes 1/4" carbon steel top plate and yoke legs continuously welded to yoke base to form a tough, rugged assembly. Double ball bearing swivel raceway is heat treated for wear resistance and assembled with permanently riveted 5/8" diameter king pin.

Multitude of applications include:

- Platform Trucks
- Sheet Rock Dollies
- Waste Containers
- Lumber Carts
- Self-Dumping Hoppers
- Tilt Trucks

Top plate and bolt hole pattern conforms to industry standards. Available in Stainless Steel.

SWIVEL



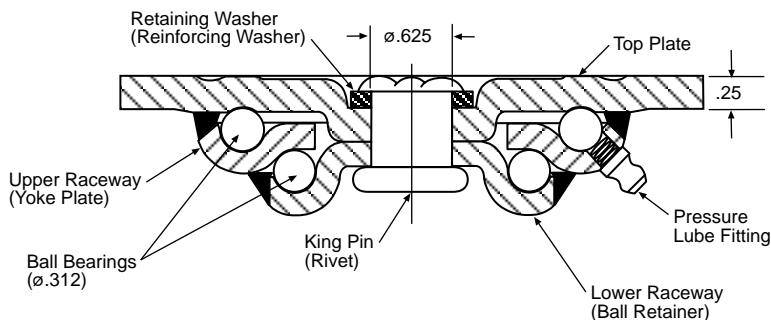
RIGID



Options

- Maintenance Free Swivel Raceways
- Grease Seals for Swivel Raceway
- High-Temperature Wheels
- Conductive or Static-Dissipative Wheels
- Gray, Non-Marking Wheels
- Powder Coated Finishes

DOUBLE BALL BEARING SWIVEL RACEWAY A100 SERIES



Wheel Selection

ADVANCED ELASTOMER

THERMO PLASTIC RUBBER

CAST IRON HUB

MOLD-ON RUBBER

CAST IRON HUB

MOLD-ON POLYURETHANE

POLYOLEFIN HUB

POLYURETHANE

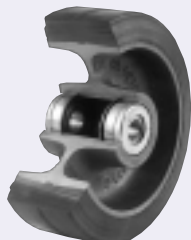
PAGE 106



PAGE 122



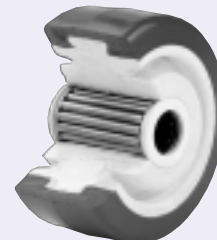
PAGE 120



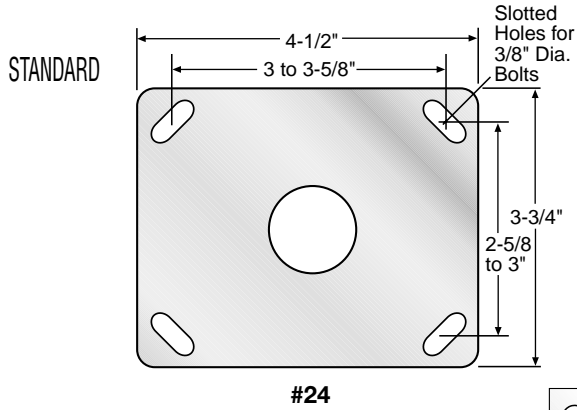
PAGE 128



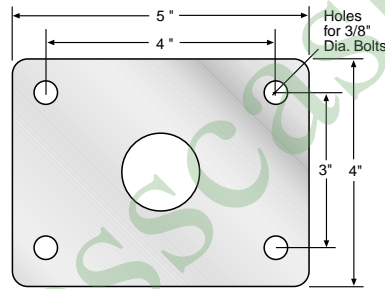
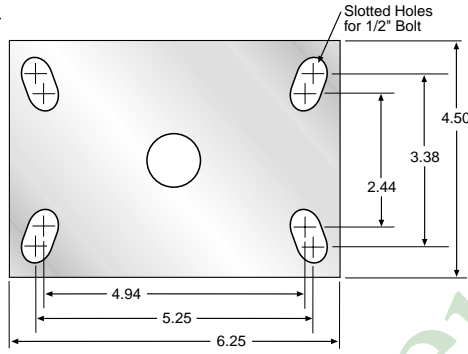
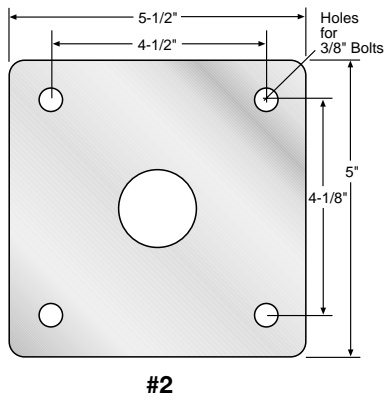
PAGE 126



TOP PLATE



ALTERNATES

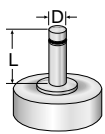


Medium-Heavy
Duty Industrial



STEMS

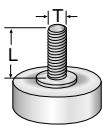
"O" STEM TABLE



Dimension D	Dimension L	Stem Number
*5/8"	2"	OA100-58-2
*3/4"	2-1/2"	OA100-34-212
*7/8"	2-1/2"	OA100-78-212
*1"	2-1/2"	OA100-1-212

Other stem sizes and dimensions available.
*ALL SPECIAL ORDER

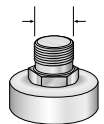
"L" STEM TABLE



Dimension T	Dimension L	Stem Number
*5/8"-11	2-1/2"	LA100-5811-212
*3/4"-10	2-1/2"	LA100-3410-212
*7/8"-9	2-1/2"	LA100-789-212
*1"-8	2-1/2"	LA100-18-212

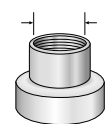
Other stem sizes and dimensions available.
*ALL SPECIAL ORDER

"LP" stem



Consult factory for sizes available.

"LPC" stem



Subtract .25" from overall height for stem casters.

WHITE NYLON

PHENOLIC

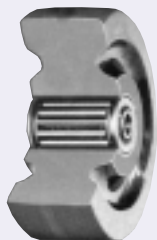
POLYOLEFIN

STAINLESS STEEL WHEEL

CAST IRON



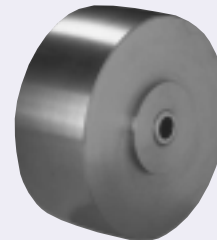
PAGE 134



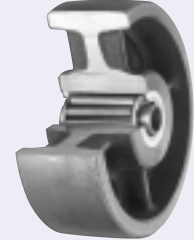
PAGE 136



PAGE 142



PAGE 138



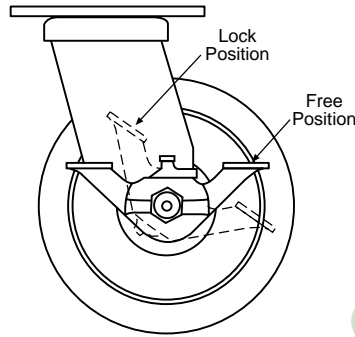


SERIES **continued**

Medium-Heavy Duty
Industrial

BRAKES

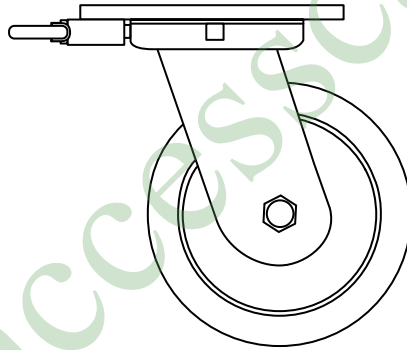
Hub Brake (HB)



Hub Brake

Prevents wheel movement by engaging fork legs against wheel hub when foot pedal is applied in the locked position.

Four Position Swivel Lock (SL)



Four Position Swivel Lock

A horizontal four position swivel lock with a spring loaded plunger to securely hold the swivel in the slotted position desired. Plunger can be put into a neutral position for free swiveling action.

44

Diameter	Tread Width	Load Capacity	Wheel Material	Bearing	Swivel Part Number	Rigid Part Number	Approx. Weight	Overall Height	Swivel Radius
4	2	200	EXTRA SOFT THERMO-PLASTIC RUBBER	DELRIN ROLLER	A104-DPD-M-PO-55 A104-TPD-M-PO-55	A104-DRPD-M-PO-55 A104-TRPD-M-PO-55	4	5-5/8	3-9/16
			MOLD-ON RUBBER	ROLLER	A104-TD-M-CI	A104-TRD-M-CI	6		
		300	THERMO-PLASTIC RUBBER	DELRIN ROLLER	A104-DPD-M-PO A104-TPD-M-PO	A104-DRPD-M-PO A104-TRPD-M-PO	4		
			POLYOLEFIN	PLAIN	A104-BPO	A104-BRPO	3-3/4		
		550	WHITE NYLON	PLAIN	A104-BNYLO	A104-BRNYLO			
		580	POLYURETHANE / CAST IRON HUB	ROLLER	A104-TADI-M-CI	A104-TRADI-M-CI	6	5-5/8	3-9/16
		600	POLYURETHANE / POLYOLEFIN HUB	DELRIN	A104-DADI-M-PO	A104-DRADI-M-PO	4-1/4		
		700	POLYOLEFIN	DELRIN	A104-DPO	A104-DRPO	3-3/4		
		750	POLYURETHANE / POLYOLEFIN HUB	ROLLER	A104-TADI-M-PO	A104-TRADI-M-PO	4-1/4		
		1000	ADVANCED ELASTOMER	BALL	A104-XAE	A104-XRAE	6-1/2	5-5/8	3-9/16
				DELRIN	A104-DAE	A104-DRAE			
				PRECISION BALL	A104-PXAE	A104-PXRAE			
				ROLLER	A104-TAE	A104-TRAE			
				CAST IRON	ROLLER	A104-TCI	A104-TRCI		
PHENOLIC	DELRIN ROLLER			A104-DPR A104-TPR	A104-DRPR A104-TRPR	4-1/4			



A100 Series continued

Diameter	Tread Width	Load Capacity	Wheel Material	Bearing	Swivel Part Number	Rigid Part Number	Approx. Weight	Overall Height	Swivel Radius
5	2	225	EXTRA SOFT THERMO-PLASTIC RUBBER	DELRIN	A105-DPD-M-PO-55	A105-DRPD-M-PO-55	5	6-1/2	4-1/4
			MOLD-ON RUBBER	ROLLER	A105-TPD-M-PO-55	A105-TRPD-M-PO-55			
		350	THERMO-PLASTIC RUBBER	DELRIN	A105-DPD-M-PO	A105-DRPD-M-PO	5		
			THERMO-PLASTIC RUBBER	ROLLER	A105-TPD-M-PO	A105-TRPD-M-PO			
		650	POLYOLEFIN	PLAIN	A105-BPO	A105-BRPO	4-3/4		
			WHITE NYLON	PLAIN	A105-BNYLO	A105-BRNYLO			
		700	POLYURETHANE / CAST IRON HUB	ROLLER	A105-TADI-M-CI	A105-TRADI-M-CI	7		
		850	POLYOLEFIN	ROLLER	A105-TPO	A105-TRPO	4-3/4		
			POLYURETHANE / POLYOLEFIN HUB	DELRIN	A105-DADI-M-PO	A105-DRADI-M-PO	5-1/4		
		1000	ADVANCED ELASTOMER	BALL	A105-XAE	A105-XRAE	7-1/2		
				DELRIN	A105-DAE	A105-DRAE			
				PRECISION BALL	A105-PXAE	A105-PXRAE			
				ROLLER	A105-TAE	A105-TRAE			
				CAST IRON	ROLLER	A105-TCI			
PHENOLIC	DELRIN			A105-DPR	A105-DRPR	5-1/4			
PHENOLIC	ROLLER	A105-TPR	A105-TRPR						
	POLYURETHANE / POLYOLEFIN HUB	ROLLER	A105-TADI-M-PO	A105-TRADI-M-PO					
6	2	250	EXTRA SOFT THERMO-PLASTIC RUBBER	DELRIN	A106-DPD-M-PO-55	A106-DRPD-M-PO-55	5-1/4	7-1/2	5
			MOLD-ON RUBBER	ROLLER	A106-TPD-M-PO-55	A106-TRPD-M-PO-55			
		400	THERMO-PLASTIC RUBBER	DELRIN	A106-DPD-M-PO	A106-DRPD-M-PO	5-1/4		
			THERMO-PLASTIC RUBBER	ROLLER	A106-TPD-M-PO	A106-TRPD-M-PO			
		410	MOLD-ON RUBBER	ROLLER	A106-TD-M-CI	A106-TRD-M-CI	7-1/5		
		700	POLYOLEFIN	PLAIN	A106-BPO	A106-BRPO	5-1/4		
			POLYOLEFIN	ROLLER	A106-TPO	A106-TRPO			
		840	WHITE NYLON	PLAIN	A106-BNYLO	A106-BRNYLO	5-1/4		
			POLYURETHANE / POLYOLEFIN HUB	DELRIN	A106-DADI-M-PO	A106-DRADI-M-PO			
		900	ADVANCED ELASTOMER	BALL	A106-XAE	A106-XRAE	7-3/4		
				DELRIN	A106-DAE	A106-DRAE			
				PRECISION BALL	A106-PXAE	A106-PXRAE			
				ROLLER	A106-TAE	A106-TRAE			
				CAST IRON	ROLLER	A106-TCI			
PHENOLIC	DELRIN			A106-DPR	A106-DRPR	6			
PHENOLIC	ROLLER	A106-TPR	A106-TRPR						
	POLYURETHANE / CAST IRON HUB	ROLLER	A106-TADI-M-CI	A106-TRADI-M-CI	7-1/5				
	POLYURETHANE / POLYOLEFIN HUB	ROLLER	A106-TADI-M-PO	A106-TRADI-M-PO	5-1/4				
8	2	300	EXTRA SOFT THERMO-PLASTIC RUBBER	DELRIN	A108-DPD-M-PO-55	A108-DRPD-M-PO-55	7	9-1/2	6-1/8
			MOLD-ON RUBBER	ROLLER	A108-TPD-M-PO-55	A108-TRPD-M-PO-55			
		450	THERMO-PLASTIC RUBBER	DELRIN	A108-DPD-M-PO	A108-DRPD-M-PO	7		
			THERMO-PLASTIC RUBBER	ROLLER	A108-TPD-M-PO	A108-TRPD-M-PO			
		500	MOLD-ON RUBBER	ROLLER	A108-TD-M-CI	A108-TRD-M-CI	11		
		900	POLYOLEFIN	PLAIN	A108-BPO	A108-BRPO	7		
			POLYOLEFIN	ROLLER	A108-TPO	A108-TRPO			
		940	WHITE NYLON	PLAIN	A108-BNYLO	A108-BRNYLO	7		
			POLYURETHANE / POLYOLEFIN HUB	DELRIN	A108-DADI-M-PO	A108-DRADI-M-PO			
		1000	ADVANCED ELASTOMER	BALL	A108-XAE	A108-XRAE	9-1/2		
				DELRIN	A108-DAE	A108-DRAE			
				PRECISION BALL	A108-PXAE	A108-PXRAE			
				ROLLER	A108-TAE	A108-TRAE			
				CAST IRON	ROLLER	A108-TCI			
PHENOLIC	DELRIN			A108-DPR	A108-DRPR	8			
PHENOLIC	ROLLER	A108-TPR	A108-TRPR						
	POLYURETHANE / CAST IRON HUB	DELRIN	A108-DADI-M-PO	A108-DRADI-M-PO	7				
	POLYURETHANE / POLYOLEFIN HUB	DELRIN	A108-DADI-M-PO	A108-DRADI-M-PO	7				
	POLYURETHANE / POLYOLEFIN HUB	ROLLER	A108-TADI-M-PO	A108-TRADI-M-PO	7				

A100

SERIES

Stainless Steel



Diameter	Tread Width	Load Capacity	Wheel Material	Bearing	Swivel Part Number	Rigid Part Number	Approx. Weight	Overall Height	Swivel Radius
4	2	225	EXTRA SOFT THERMO-PLASTIC RUBBER	DELIRIN	A104-DPD-M-PO-55-SS	A104-DRPD-M-PO-55-SS	4	5-5/8	3-9/16
				ROLLER	A104-TPD-M-PO-55-SS	A104-TRPD-M-PO-55-SS			
		300	THERMO-PLASTIC RUBBER	DELIRIN	A104-DPD-M-PO-SS	A104-DRPD-M-PO-SS	4		
				ROLLER	A104-TPD-M-PO-SS	A104-TRPD-M-PO-SS			
		500	POLYOLEFIN	PLAIN	A104-BPO-SS	A104-BRPO-SS	3-1/2		
				ROLLER	A104-TPO-SS	A104-TRPO-SS			
		600	WHITE NYLON	PLAIN	A104-BNYLO-SS	A104-BRNYLO-SS	4		
				ROLLER	A104-DADI-M-PO-SS	A104-DRADI-M-PO-SS			
		800	POLYURETHANE / POLYOLEFIN HUB	ROLLER	A104-TADI-M-PO-SS	A104-TRADI-M-PO-SS	4		
				DELIRIN	A104-DPR-SS	A104-DRPR-SS			
		1000	PHENOLIC	ROLLER	A104-TPR-SS	A104-TRPR-SS	6-1/2		
				BALL	A104-XAE-SS	A104-XRAE-SS			
1000	ADVANCED ELASTOMER	DELIRIN	A104-DAE-SS	A104-DRAE-SS	6-1/2				
		ROLLER	A104-TAE-SS	A104-TRAE-SS					
1000	STAINLESS STEEL	PLAIN	A104-BSS-SS	A104-BRSS-SS	12				
5	2	225	EXTRA SOFT THERMO-PLASTIC RUBBER	DELIRIN	A105-DPD-M-PO-55-SS	A105-DRPD-M-PO-55-SS	5	6-1/2	4-1/4
				ROLLER	A105-TPD-M-PO-55-SS	A105-TRPD-M-PO-55-SS			
		300	THERMO-PLASTIC RUBBER	DELIRIN	A105-DPD-M-PO-SS	A105-DRPD-M-PO-SS	4		
				ROLLER	A105-TPD-M-PO-SS	A105-TRPD-M-PO-SS			
		650	POLYOLEFIN	PLAIN	A105-BPO-SS	A105-BRPO-SS	4		
				ROLLER	A105-TPO-SS	A105-TRPO-SS			
		850	WHITE NYLON	PLAIN	A105-BNYLO-SS	A105-BRNYLO-SS	4-1/2		
				ROLLER	A105-DADI-M-PO-SS	A105-DRADI-M-PO-SS			
		900	POLYURETHANE / POLYOLEFIN HUB	ROLLER	A105-TADI-M-PO-SS	A105-TRADI-M-PO-SS	4-1/2		
				DELIRIN	A105-DPR-SS	A105-DRPR-SS			
		900	PHENOLIC	ROLLER	A105-TPR-SS	A105-TRPR-SS	7		
				BALL	A105-XAE-SS	A105-XRAE-SS			
1000	ADVANCED ELASTOMER	DELIRIN	A105-DAE-SS	A105-DRAE-SS	7				
		ROLLER	A105-TAE-SS	A105-TRAE-SS					
1000	STAINLESS STEEL	PLAIN	A105-BSS-SS	A105-BRSS-SS	16				
6	2	250	EXTRA SOFT THERMO-PLASTIC RUBBER	DELIRIN	A106-DPD-M-PO-55-SS	A106-DRPD-M-PO-55-SS	5-1/4	7-1/2	5
				ROLLER	A106-TPD-M-PO-55-SS	A106-TRPD-M-PO-55-SS			
		400	THERMO-PLASTIC RUBBER	DELIRIN	A106-DPD-M-PO-SS	A106-DRPD-M-PO-SS	4-1/4		
				ROLLER	A106-TPD-M-PO-SS	A106-TRPD-M-PO-SS			
		700	POLYOLEFIN	PLAIN	A106-BPO-SS	A106-BRPO-SS	4-1/4		
				ROLLER	A106-TPO-SS	A106-TRPO-SS			
		900	WHITE NYLON	DELIRIN	A105-BNYLO-SS	A105-BRNYLO-SS	4-3/4		
				ROLLER	A106-DADI-M-PO-SS	A106-DRADI-M-PO-SS			
		925	POLYURETHANE / POLYOLEFIN HUB	ROLLER	A106-TADI-M-PO-SS	A106-TRADI-M-PO-SS	4-1/2		
				DELIRIN	A106-DPR-SS	A106-DRPR-SS			
		925	PHENOLIC	ROLLER	A106-TPR-SS	A106-TRPR-SS	7-3/4		
				BALL	A106-XAE-SS	A106-XRAE-SS			
1000	ADVANCED ELASTOMER	DELIRIN	A106-DAE-SS	A106-DRAE-SS	7-3/4				
		ROLLER	A106-TAE-SS	A106-TRAE-SS					
1000	STAINLESS STEEL	PLAIN	A106-BSS-SS	A106-BRSS-SS	22-3/4				

46

Diameter	Tread Width	Load Capacity	Wheel Material	Bearing	Swivel Part Number	Rigid Part Number	Approx. Weight	Overall Height	Swivel Radius	
8	2	300	EXTRA SOFT	DELTRIN	A108-DPD-M-PO-55-SS	A108-DRPD-M-PO-55-SS	7	9-1/2	6-1/8	
			THERMO-PLASTIC RUBBER	ROLLER	A108-TPD-M-PO-55-SS	A108-TRPD-M-PO-55-SS				
		450	THERMO-PLASTIC RUBBER	DELTRIN	A108-DPD-M-PO-SS	A108-DRPD-M-PO-SS				
				ROLLER	A108-TPD-M-PO-SS	A108-TRPD-M-PO-SS				
		900	POLYOLEFIN	PLAIN	A108-BPO-SS	A108-BRPO-SS				5
			WHITE NYLON	ROLLER	A108-TPO-SS	A108-TRPO-SS				
		950	POLYURETHANE / POLYOLEFIN HUB	DELTRIN	A108-DADI-M-PO-SS	A108-DRADI-M-PO-SS				
				ROLLER	A108-TADI-M-PO-SS	A108-TRADI-M-PO-SS				
		1000	PHENOLIC	DELTRIN	A108-DPR-SS	A108-DRPR-SS	5-1/2			
				ROLLER	A108-TPR-SS	A108-TRPR-SS				
				PLAIN	A108-BSS-SS	A108-BRSS-SS	38-1/2			
		1000	ADVANCED ELASTOMER	BALL	A108-XAE-SS	A108-XRAE-SS	9-1/2			
				DELTRIN	A108-DAE-SS	A108-DRAE-SS				
				ROLLER	A108-TAE-SS	A108-TRAE-SS				

Designed to provide the ultimate


CORROSION PROTECTION

These casters are ideally suited for acetic, nitric and citric acid environments in addition to being well suited for organic and inorganic chemicals, dye stuffs, crude and refined oil environments. Widely accepted in the following industries:

- DAIRY**
- BEVERAGE**
- FOOD PROCESSING**
- PHARMACEUTICALS**
- HOSPITALS & MEDICAL**
- ANIMAL CAGES**

Made with non-magnetic, 303/304 stainless steel; optional 316 stainless available. Standard with swivel raceway grease seals and zerk fitting.







**UNDERWRITERS
LABORATORY**



**INSTITUTE OF CASTER
MANUFACTURERS**



INDUSTRY MANUFACTURERS COUNCIL





**MATERIAL HANDLING
INDUSTRY
OF AMERICA®**



Inflight
Food Service
Association



NSF
NATIONAL SANITATION
FOUNDATION