

Load Capacity:  
15,000 to 20,000lbs.

### Quality Features

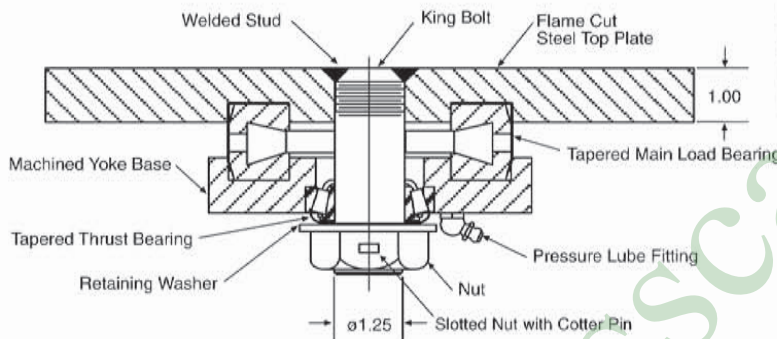
For aviation and aerospace workstands that require the highest load capacity and receive the most severe handling. A combination of better load distribution and the differential action of the twin wheel offers higher load capacity and requires less effort to change the direction of the swivel. Heavy supporting center leg and side forks are flame cut from thick plate steel and continuously welded on both sides for added strength and durability. Super heavy-duty tapered bearings support the main load bearing and lower thrust bearing of the swivel raceway. Standard finish is Laguna Blue.

# 5200 SERIES

## Super-Heavy Duty Workstand



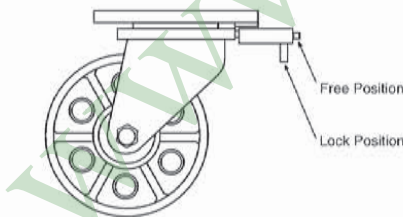
**SWIVEL BEARING RACEWAY  
5200 SERIES**



Diameter	Tread Width	Load Capacity	Wheel Material	Bearing	Swivel Part Number	Rigid Part Number	Approx. Weight	Overall Height	Swivel Radius
16	5	15,000	POLYURETHANE / CAST IRON HUB	TAPERED ROLLER	5216-YADI-M-CI-WB-SL	N/A	250	20	12
18	5	20,000	POLYURETHANE / CAST IRON HUB	TAPERED ROLLER	5218-YADI-M-CI-WB-SL	N/A	280	22	13-1/2

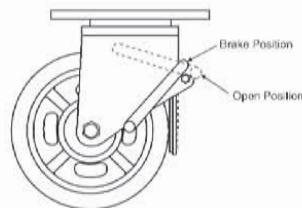
All single wheel loads are based on 3 mph for less than 10 minutes continuous running.

### BRAKES



### Four Position Swivel Lock

A horizontal four position swivel lock with a spring-loaded plunger to securely hold the swivel in the slotted position desired. Plunger can be put into a neutral position for free swiveling action.



### Heavy Duty Wheel Brake (WB)

This wheel brake was especially designed for heavy equipment that must be made firmly immobile. The overall height of this caster with the brake applied or released remains the same, even when used with companion casters or a swivel or rigid.

