

SERIES

Light-Duty Industrial

Load Capacity: 100 to 200 lbs.

Quality Features

- FOUR-SIDED, DOUBLE BALL RACEWAY.**
 Hardened steel ball bearings touch upper and lower swivel raceway "on all four sides." This protects the pin from shock loading for free swiveling under heavy loads.
- HEAT-TREATED MOVING PARTS.**
 All moving parts are hardened to a precise molecular depth and Rockwell hardness. This extends caster life under rugged conditions and shock loads.
- RACEWAY DUST CAP.**
 Dust cap protects the raceway from contamination by dust, dirt, moisture, and other environmental debris. While standard on the 50 Series casters, these are usually not available on most competitive brands.
- THREAD GUARD.**
 Thread guards keep unwanted materials out of the wheel bearings thus increasing the life of the caster. Thread guards are standard on nearly all 50 Series wheels.

Sturdy light-duty casters for industrial furniture and equipment that is used frequently under demanding conditions and heavier loads.

Typical Applications Include:

- Tool Chests
- Laundry Carts
- Metal Shop Equipment
- Disk Storage Devices
- Utility Tables
- Audio/Visual Stands
- Cafeteria Tables
- Food Serving Carts

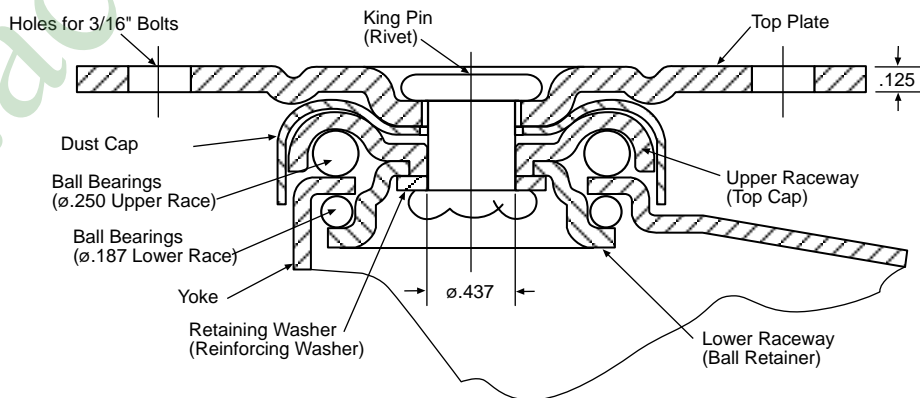
Available in either corrosion-resistant zinc plated steel or corrosion-free stainless steel. Simply the toughest caster for demanding light-duty applications.



Options

- Maintenance Free Swivel Bearings
- High-Temperature Wheels (+550°F)
- Conductive Wheels
- Gray, Non-Marking Wheels
- Powder Coated Finishes

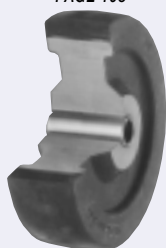
FOUR SIDED DOUBLE BALL BEARING RACEWAY 50 SERIES



Wheel Selection

NEOPRENE RUBBER

PAGE 108



HI-CAP NEOPRENE

PAGE 110



EXTRA-SOFT NEOPRENE

PAGE 114



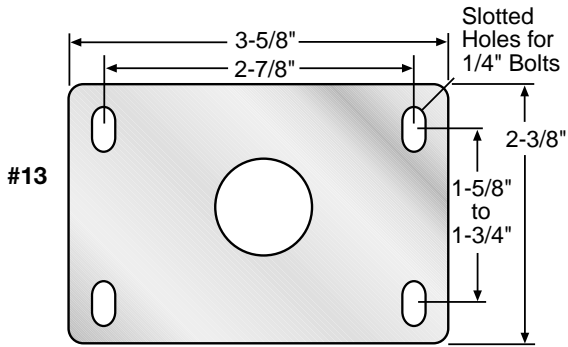
HARD RUBBER

PAGE 112

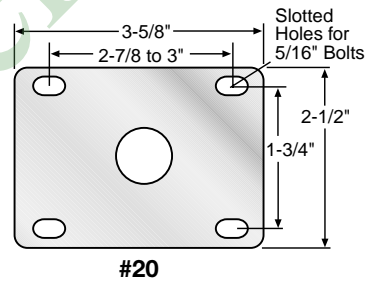
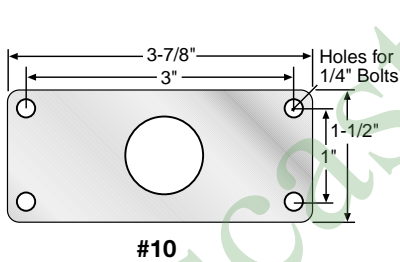
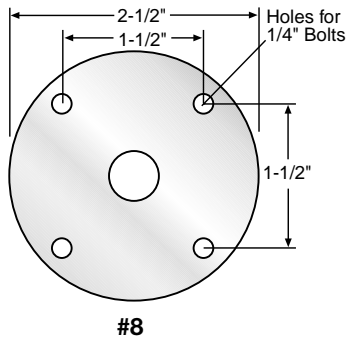
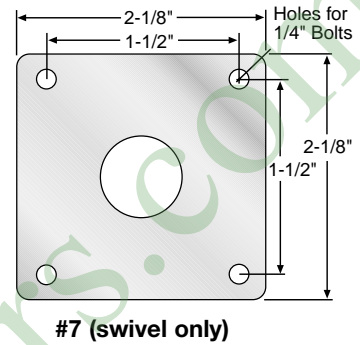
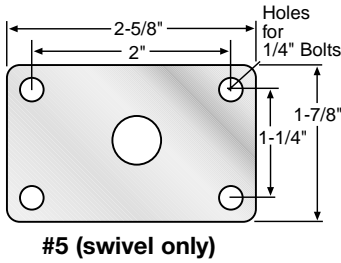
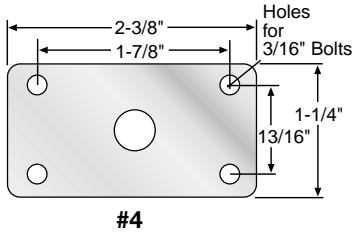


TOP PLATE

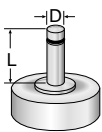
STANDARD



ALTERNATES



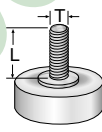
"O" STEM TABLE



Dimension D	Dimension L	Stem Number
3/8"	1"	O50-38-1
3/8"	1-1/4"	O50-38-114
7/16"	1"	O50-716-1
7/16"	1-1/4"	O50-716-114
7/16"	1-1/2"	O50-716-112

Other stem sizes and dimensions available.

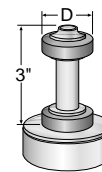
"L" STEM TABLE



Dimension T	Dimension L	Stem Number
3/8"-16	3/4"	L50-3816-34
3/8"-16	1"	L50-3816-1
3/8"-16	1-1/4"	L50-3816-114
7/16"-14	1"	L50-71614-1
7/16"-14	1-1/4"	L50-71614-114
1/2"-13	1-1/2"	L50-1213-112

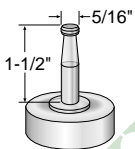
Other stem sizes and dimensions available.

"E" STEM TABLE



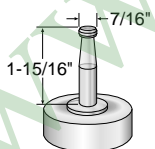
Dimension D	
ROUND	SQUARE
3/4"	3/4"
7/8"	7/8"
1"	1"
1-1/16"	1-1/8"
1-1/8"	1-1/4"
1-1/4"	1-3/8"
1-3/8"	1-1/2"
1-7/16"	1-5/8"
1-1/2"	1-3/4"
1-9/16"	2"
1-5/8"	
1-3/4"	
1-7/8"	
1.9"	

"S" stem Special Order



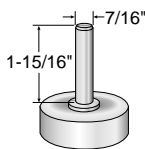
2" and 2-1/2" only

"K" stem

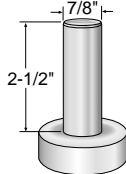


2" and 2-1/2" only

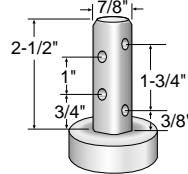
"BF" stem Special Order



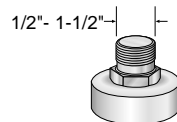
"7/8" round" stem



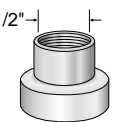
"7/8" square" stem



"LP" stem



"LPC" stem



Subtract .125" from overall height for stem casters.

POLYOLEFIN HUB

POLYOLEFIN

PAGE 136



POLYURETHANE

PAGE 126



THERMO PLASTIC RUBBER

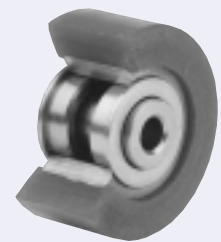
PAGE 124



CAST IRON HUB

POLYURETHANE

PAGE 128



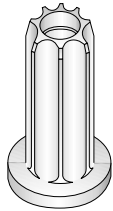
Light-Duty Industrial

50

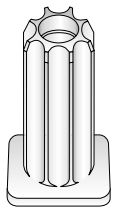
SERIES **continued**

SOCKETS

R-type – Round



R-type – Square



PLASTIC SOCKETS FOR "K" STEM CASTERS

Part Number	Tubing I.D. Round	Tubing I.D. Square	Socket Type
441413	5/8"	19/32"	Round
441414	xxx	5/8"	Square
441411	3/4"	23/32"	Round
441825	25/32"	47/64"	Round
441415	7/8"	27/32"	Round
441416	xxx	7/8"	Square
441409	15/16"	29/32"	Round
441406	1"	15/16"	Round
441826	xxx	1"	Square
441404	1-1/16"	1"	Round

Members of:



UNDERWRITERS
LABORATORY



INSTITUTE OF CASTER
MANUFACTURERS



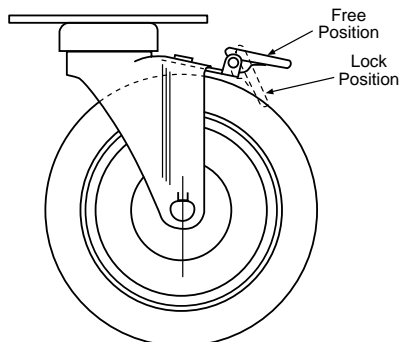
INDUSTRY MANUFACTURERS COUNCIL



NATIONAL SANITATION
FOUNDATION

BRAKES

Wheel Lock Brake (WL)

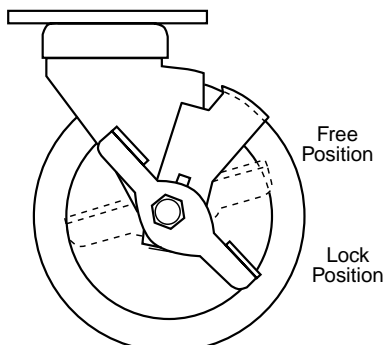


For 2", 2-1/2", 3", 4", and 5".

Wheel Lock Brake

This simple, but effective nylon wheel lock is designed especially for light duty institutional market. (ie. hospitals, schools, offices, etc.) Most effective on casters with soft wheels. Requires only a slight pressure downward to engage the wheel lock and an equally slight pressure upwards to disengage it.

Radial Brake (RB)

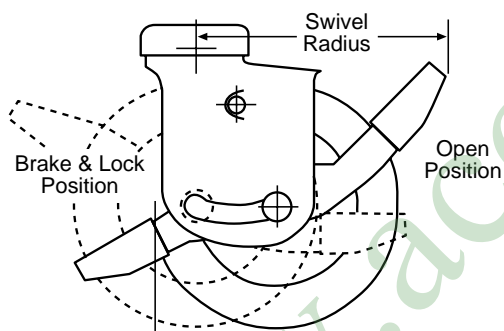


For 3", 4" and 5" only.

Radial Brake

Exceptional brake for light and medium duty applications, either industrial or institutional. Side pedal engages tread lock to restrain wheel movement. Brake kit available for field installation.

Combination Swivel & Wheel Brake (CB)



For 3", 4" and 5" only.

Combination Swivel & Wheel Brake

This foot lever operated combination swivel lock and wheel brake maintains the same height whether the brake is engaged or in the released position. Also, the same height is maintained when used with its companion casters as the swivel or rigid. For easy operation by simply stepping on the foot lever in the high position and reversing the action to release the brake to a free rolling position.

Light-Duty
Industrial

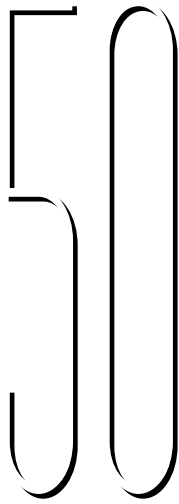


Diameter	Tread Width	Load Capacity	Wheel Material	Bearing	Swivel Part Number	Rigid Part Number	Approx. Weight	Overall Height	Swivel Radius		
2	1	100	NEOPRENE RUBBER	ACETAL	52-13-PDN	52-13-PRDN	1	2-7/8	1-13/16		
				BALL	52-13-XDN	52-13-XRDN					
			HI-CAP NEOPRENE	ACETAL	52-13-PKN	52-13-PRKN					
			ROUND DONUT / NEOPRENE	ACETAL	52-13-PDN-RD	52-13-PRDN-RD					
				ACETAL	52-13-PH	52-13-PRH					
				BALL	52-13-XH	52-13-XRH					
		150	HARD RUBBER	ACETAL	52-13-PH-RD	52-13-PRH-RD					
				BALL	52-13-XH	52-13-XRH					
			HI-CAP NEOPRENE	ACETAL	52-13-PKN-RD	52-13-PRKN-RD					
			200	CAST IRON	PLAIN	52-13-BCI				52-13-BRCI	1-3/8
				POLYOLEFIN	PLAIN	52-13-BPO				52-13-BRPO	1
				POLYURETHANE / STEEL HUB	BALL	52-13-XADI-M-CI				52-13-XRADI-M-CI	1-1/4
	DELIRIN	52-13-DADI-M-CI	52-13-DRADI-M-CI								

Access Casters (877) 881-6814

50 Series

Diameter	Tread Width	Load Capacity	Wheel Material	Bearing	Swivel Part Number	Rigid Part Number	Approx. Weight	Overall Height	Swivel Radius		
2 1/2	1	110	NEOPRENE RUBBER	ACETAL	52 1/2-13-PDN	52 1/2-13-PRDN	1-1/8	3-5/8	2		
				BALL	52 1/2-13-XDN	52 1/2-13-XRDN					
		140	HI-CAP NEOPRENE	ACETAL	52 1/2-13-PKN	52 1/2-13-PRKN	1-11/16				
				BALL	52 1/2-13-XKN	52 1/2-13-XRKN					
		165	CAST IRON	PLAIN	52 1/2-13-BCI	52 1/2-13-BRCI	1-1/8				
				HARD RUBBER	ACETAL	52 1/2-13-PH				52 1/2-13-PRH	
BALL	52 1/2-13-XH	52 1/2-13-XRH									
3	15/16	110	EXTRA SOFT NEOPRENE	ACETAL	53-13-PEZN-RD	53-13-PREZN-RD	1-3/16	4-1/8	2-7/8		
				BALL	53-13-XEZN-RD	53-13-XREZN-RD					
		125	ROUND DONUT / NEOPRENE	ACETAL	53-13-PDN-RD	53-13-PRDN-RD					
				BALL	53-13-XDN-RD	53-13-XRDN-RD					
		165	HARD RUBBER	ACETAL	53-13-PH-RD	53-13-PRH-RD					
				BALL	53-13-XH-RD	53-13-XRH-RD					
	7/8	120	NEOPRENE RUBBER	ACETAL	53-13-PDN	53-13-PRDN					
				BALL	53-13-XDN	53-13-XRDN					
		135	HI-CAP NEOPRENE	ACETAL	53-13-PKN	53-13-PRKN					
				BALL	53-13-XKN	53-13-XRKN					
		165	HARD RUBBER	ACETAL	53-13-PH	53-13-PRH					
				BALL	53-13-XH	53-13-XRH					
	185	POLYOLEFIN	PLAIN	53-13-BPO	53-13-BRPO						
			200	CAST IRON	PLAIN	53-13-BCI				53-13-BRCI	
	1	100			EXTRA SOFT THERMO-PLASTIC RUBBER	BALL				53-13-XPD-M-PO-55	53-13-XRPD-M-PO-55
			PLAIN	53-13-BPD-M-PO-55		53-13-BRPD-M-PO-55					
		150	THERMO-PLASTIC RUBBER	BALL	53-13-XPD-M-PO	53-13-XRPD-M-PO					
				PLAIN	53-13-BPD-M-PO	53-13-BRPD-M-PO					
200		POLYURETHANE / POLYOLEFIN HUB	BALL	53-13-XADI-M-PO	53-13-XRADI-M-PO						
			PLAIN	53-13-BADI-M-PO	53-13-BRADI-M-PO						
4	15/16	110	EXTRA SOFT NEOPRENE	ACETAL	54-13-PEZN-RD	54-13-PREZN-RD	1-9/16	5-1/8	3-3/8		
				BALL	54-13-XEZN-RD	54-13-XREZN-RD					
		125	ROUND DONUT / NEOPRENE	ACETAL	54-13-PDN-RD	54-13-PRDN-RD					
				BALL	54-13-XDN-RD	54-13-XRDN-RD					
		185	HARD RUBBER	ACETAL	54-13-PH-RD	54-13-PRH-RD					
				BALL	54-13-XH-RD	54-13-XRH-RD					
	7/8	120	NEOPRENE RUBBER	ACETAL	54-13-PDN	54-13-PRDN					
				BALL	54-13-XDN	54-13-XRDN					
		135	HI-CAP NEOPRENE	ACETAL	54-13-PKN	54-13-PRKN					
				BALL	54-13-XKN	54-13-XRKN					
		185	HARD RUBBER	ACETAL	54-13-PH	54-13-PRH					
				BALL	54-13-XH	54-13-XRH					
	200	POLYOLEFIN	PLAIN	54-13-BPO	54-13-BRPO						
			200	CAST IRON	PLAIN	54-13-BCI				54-13-BRCI	
	1	110			EXTRA SOFT THERMO-PLASTIC RUBBER	BALL				54-13-XPD-M-PO-55	54-13-XRPD-M-PO-55
			PLAIN	54-13-BPD-M-PO-55		54-13-BRPD-M-PO-55					
		160	THERMO-PLASTIC RUBBER	BALL	54-13-XPD-M-PO	54-13-XRPD-M-PO					
				PLAIN	54-13-BPD-M-PO	54-13-BRPD-M-PO					
200		POLYURETHANE / POLYOLEFIN HUB	BALL	54-13-XADI-M-PO	54-13-XRADI-M-PO						
			PLAIN	54-13-BADI-M-PO	54-13-BRADI-M-PO						
5	15/16	110	EXTRA SOFT NEOPRENE	ACETAL	55-13-PEZN-RD	55-13-PREZN-RD	2	6-1/8	3-7/8		
				BALL	55-13-XEZN-RD	55-13-XREZN-RD					
		125	ROUND DONUT / NEOPRENE	ACETAL	55-13-PDN-RD	55-13-PRDN-RD					
				BALL	55-13-XDN-RD	55-13-XRDN-RD					
		185	HARD RUBBER	ACETAL	55-13-PH-RD	55-13-PRH-RD					
				BALL	55-13-XH-RD	55-13-XRH-RD					
	7/8	120	NEOPRENE RUBBER	ACETAL	55-13-PDN	55-13-PRDN					
				BALL	55-13-XDN	55-13-XRDN					
		135	HI-CAP NEOPRENE	ACETAL	55-13-PKN	55-13-PRKN					
				BALL	55-13-XKN	55-13-XRKN					
		165	HARD RUBBER	ACETAL	55-13-PH	55-13-PRH					
				BALL	55-13-XH	55-13-XRH					
	185	POLYOLEFIN	PLAIN	55-13-BPO	55-13-BRPO						
			200	CAST IRON	PLAIN	55-13-BCI				55-13-BRCI	
	1	120			EXTRA SOFT THERMO-PLASTIC RUBBER	BALL				55-13-XPD-M-PO-55	55-13-XRPD-M-PO-55
			PLAIN	55-13-BPD-M-PO-55		55-13-BRPD-M-PO-55					
		170	THERMO-PLASTIC RUBBER	BALL	55-13-XPD-M-PO	55-13-XRPD-M-PO					
				PLAIN	55-13-BPD-M-PO	55-13-BRPD-M-PO					
200		POLYURETHANE / POLYOLEFIN HUB	BALL	55-13-XADI-M-PO	55-13-XRADI-M-PO						
			PLAIN	55-13-BADI-M-PO	55-13-BRADI-M-PO						



SERIES

Stainless Steel



Diameter	Tread Width	Load Capacity	Wheel Material	Bearing	Swivel Part Number	Rigid Part Number	Approx. Weight	Overall Height	Swivel Radius
3	7/8	120	NEOPRENE RUBBER	ACETAL	53-13-PDN-SS	53-13-PRDN-SS	1-3/16	4-1/8	2-7/8
		135	HI-CAP NEOPRENE	ACETAL	53-13-PKN-SS	53-13-PRKN-SS			
		165	HARD RUBBER	ACETAL	53-13-PH-SS	53-13-PRH-SS			
		200	STAINLESS STEEL	PLAIN	53-13-BSS-SS	53-13-BRSS-SS	3-1/2		
	15/16	110	EXTRA SOFT NEOPRENE	ACETAL	53-13-PEZN-RD-SS	53-13-PREZN-RD-SS	1-3/16		
		125	ROUND DONUT / NEOPRENE	ACETAL	53-13-PDN-RD-SS	53-13-PRDN-RD-SS	1-3/16		
	1	100	EXTRA SOFT THERMO-PLASTIC RUBBER	PLAIN	53-13-BPD-M-PO-55-SS	53-13-BRPD-M-PO-55-SS	1-1/4		
			150	THERMO-PLASTIC RUBBER	PLAIN	53-13-BPD-M-PO-SS	53-13-BRPD-M-PO-SS		
		185	POLYOLEFIN	PLAIN	53-13-BPO-SS	53-13-BRPO-SS	1-3/16		
			200	POLYURETHANE / POLYOLEFIN HUB	PLAIN	53-13-BADI-M-PO-SS	53-13-BRADI-M-PO-SS		
4	7/8	120	NEOPRENE RUBBER	ACETAL	54-13-PDN-SS	54-13-PRDN-SS	1-3/4	5-1/8	3-3/8
		165	HARD RUBBER	ACETAL	54-13-PH-SS	54-13-PRH-SS			
		185	POLYOLEFIN	PLAIN	54-13-BPO-SS	54-13-BRPO-SS			
		200	STAINLESS STEEL	PLAIN	54-13-BSS-SS	54-13-BRSS-SS	5-1/2		
	15/16	125	ROUND DONUT / NEOPRENE	ACETAL	54-13-PDN-RD-SS	54-13-PRDN-RD-SS	1-3/4		
		110	EXTRA SOFT THERMO-PLASTIC RUBBER	PLAIN	54-13-BPD-M-PO-55-SS	54-13-BRPD-M-PO-55-SS	1-5/16		
	160		THERMO-PLASTIC RUBBER	PLAIN	54-13-BPD-M-PO-SS	54-13-BRPD-M-PO-SS			
	200	POLYURETHANE / POLYOLEFIN HUB	PLAIN	54-13-BADI-M-PO-SS	54-13-BRADI-M-PO-SS				
5	7/8	120	NEOPRENE RUBBER	ACETAL	55-13-PDN-SS	55-13-PRDN-SS	2	6-1/8	3-7/8
		165	HARD RUBBER	ACETAL	55-13-PH-SS	55-13-PRH-SS			
		185	POLYOLEFIN	PLAIN	55-13-BPO-SS	55-13-BRPO-SS			
		200	STAINLESS STEEL	PLAIN	55-13-BSS-SS	55-13-BRSS-SS	8-1/4		
	15/16	125	ROUND DONUT / NEOPRENE	ACETAL	55-13-PDN-RD-SS	55-13-PRDN-RD-SS	2	6-1/8	
		120	EXTRA SOFT THERMO-PLASTIC RUBBER	PLAIN	55-13-BPD-M-PO-55-SS	55-13-BRPD-M-PO-55-SS	1-3/4	6-1/4	
	170		THERMO-PLASTIC RUBBER	PLAIN	55-13-BPD-M-PO-SS	55-13-BRPD-M-PO-SS			
	200		POLYURETHANE / POLYOLEFIN HUB	PLAIN	55-13-BADI-M-PO-SS	55-13-BRADI-M-PO-SS			

Designed to provide the ultimate
CORROSION PROTECTION

These casters are ideally suited for acetic, nitric and citric acid environments in addition to being well suited for organic and inorganic chemicals, dye stuffs, crude and refined oil environments. Widely accepted in the following industries:

- **DAIRY**
- **FOOD PROCESSING**
- **HOSPITALS & MEDICAL**
- **BEVERAGE**
- **PHARMACEUTICALS**
- **ANIMAL CAGES**

Made with non-magnetic, 303/304 stainless steel.