

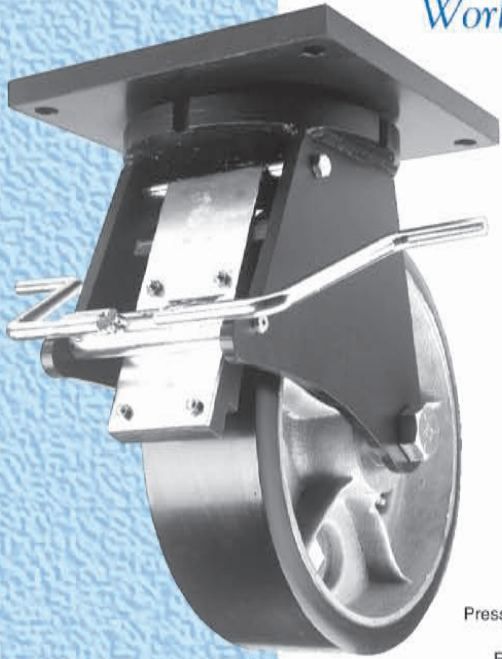
WORKSTAND

4500 SERIES
Extra-Heavy Duty
Workstand

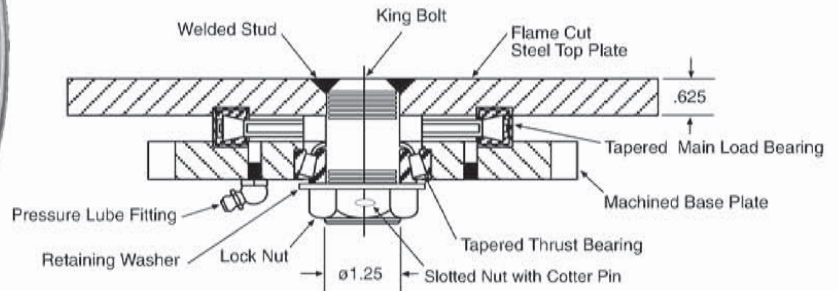
Load Capacity: 10,000 lbs.

Quality Features

Typically used in the aviation and aerospace industry on heavy-duty workstands for aircraft maintenance or assembly. Features include a precisely machined swivel raceway, special extra-heavy duty tapered swivel bearings for both upper main load bearing and lower thrust bearing, plus an extra-strong 1-1/4" welded stud and king bolt. The best choice for a single wheel, non-spring loaded caster for aviation workstands and equipment. Standard finish is Laguna Blue.



SWIVEL BEARING RACEWAY
4500 SERIES



Diameter	Tread Width	Load Capacity	Wheel Material	Bearing	Swivel Part Number	Rigid Part Number	Approx. Weight	Overall Height	Swivel Radius
16	5	10,000	POLYURETHANE / CAST IRON HUB	TAPERED ROLLER	4516-YADI-M-CI-WB-SL	N/A	180	20	12
18	5	10,000	POLYURETHANE / CAST IRON HUB	TAPERED ROLLER	4518-YADI-M-CI-WB-SL	N/A	200	22	13-1/2

All single wheel loads are based on 3 mph for less than 10 minutes continuous running.

WHEEL SELECTION,
TOP PLATE AND BRAKES
FOR
4500 & 5200 SERIES.

Wheel Selection

CAST IRON HUB

MOLD-ON POLYURETHANE

PAGE 100



TOP PLATE

