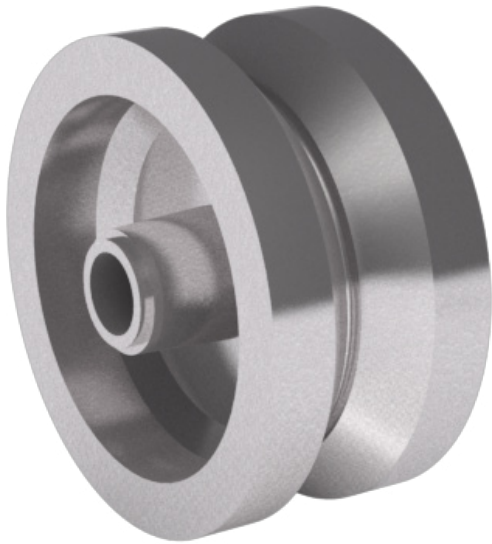


# V-GROOVE WHEELS

**15,000** lb maximum capacity



Item Shown: 06309-25-16

## FEATURES

**Bearings:** Roller, tapered, plain.

**Temperature:** Maximum to 800° F with proper bearing and lubrication.

**Standard:** All 1-1/2" and 2" width wheels with 3/4" roller bearings are supplied with 1/2" spanner bushing.

## BENEFITS

V-groove wheels are constructed of premium G-3000 gray iron castings or hot forged C-1030 steel. The 90 degree grooves are accurately machined into the face of the wheels. A relief groove at the base of the "V" directs the load to each face of the angle track when in use.

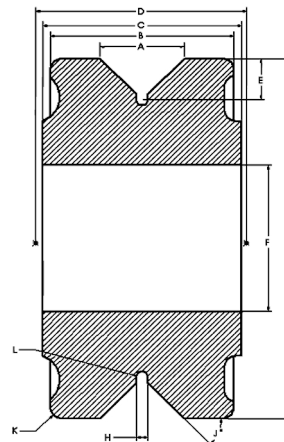
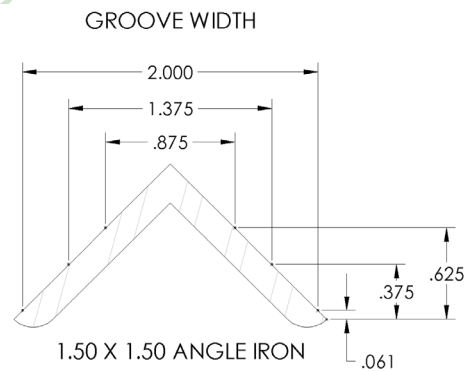
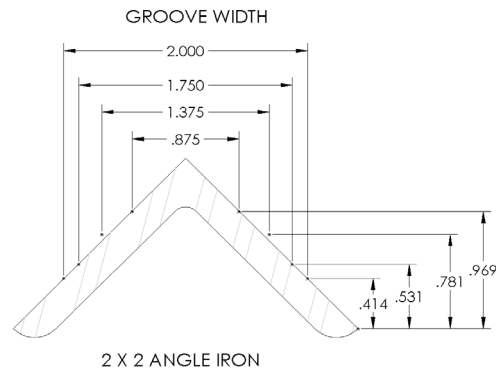
V-groove wheels can be used on a track, flat surface or both without fear of damage.

Exceptionally strong and ideal for heavy loads, the V-groove wheels are able to be machined out for keyway or various bore sizes.

Wheel material codes: Cast iron (15); heavy duty cast iron (16); forged steel (25); heavy duty forged steel (26).

## APPLICATIONS

Excellent for guided industrial applications, assembly lines, paint lines and material handling where precise alignment is necessary.



WHEEL						PART NUMBER			
Dia.	Width	Capacity	Hub Length	Bore	Width x Depth	Straight Roller	Precision Tapered	Less Bearing	Wt.
4	2.00	1,000	2 3/16	1 3/16	7/8 x 7/16			04200-15-19	5.00
4	2.00	1,000	2 3/16	3/4	7/8 x 7/16	04201-15-12			5.00
6	2.00	1,000	2 3/16	1 3/16	7/8 x 7/16			06200-15-19	5.00
6	2.00	1,000	2 3/16	3/4	7/8 x 7/16	06201-15-12			5.00
6	2.50	2,500	3 1/4	1 15/16	7/8 x 7/16			06250-15-31	10.00
6	2.50	2,500	3 1/4	1	7/8 x 7/16	06251-15-16			10.00
6	2.50	2,500	3 1/4	1 1/4	7/8 x 7/16	06251-15-20			10.00
6	2.50	2,500	3 1/2	3/4	7/8 x 7/16		06259-15-12		10.00
6	3.00	15,000	3 1/4	2 7/16	1-3/8 x 11/16			06300-25-39	20.00
6	3.00	6,000	3 1/4	1 1/4	1-3/8 x 11/16	06301-25-20			20.00
6	3.00	6,000	3 1/4	1 1/2	1-3/8 x 11/16	06301-25-24			20.00
6	3.00	10,000	3 1/2	1	1-3/8 x 11/16		06309-25-16		20.00
6	3.00	10,000	3 1/2	1 1/4	1-3/8 x 11/16		06309-25-20		20.00
6	3.00	15,000	3 1/4	3 1/8^	1-3/8 x 11/16			06308-26-50	20.00
6	3.00	15,000	3 1/2	1 1/4	1-3/8 x 11/16		06309-26-20		20.00
6	3.00	15,000	3 1/2	1 1/2	1-3/8 x 11/16		06309-26-24		20.00
8	2.50	2,500	3 1/4	1 15/16	7/8 x 7/16			08250-15-31	20.00
8	2.50	2,500	3 1/4	1	7/8 x 7/16	08251-15-16			20.00
8	2.50	2,500	3 1/4	1 1/4	7/8 x 7/16	08251-15-20			20.00
8	2.50	2,500	3 1/2	3/4	7/8 x 7/16		08259-15-12		20.00
8	3.00	4,000	3 1/4	1 15/16	7/8 x 7/16			08300-15-31	22.00
8	3.00	4,000	3 1/4	1	7/8 x 7/16	08301-15-16			22.00
8	3.00	4,000	3 1/4	1 1/4	7/8 x 7/16	08301-15-20			22.00
8	3.00	4,000	3 1/2	1	7/8 x 7/16		08309-15-16		22.00
8	3.00	4,000	3 1/2	1 1/4	7/8 x 7/16		08309-15-20		22.00
8	3.00	4,500	3 1/4	2 7/16	1-3/8 x 11/16			08300-16-39	24.00
8	3.00	4,500	3 1/4	1 1/4	1-3/8 x 11/16	08301-16-20			24.00
8	3.00	4,500	3 1/4	1 1/2	1-3/8 x 11/16	08301-16-24			24.00
8	3.00	4,500	3 1/2	1	1-3/8 x 11/16		08309-16-16		24.00
8	3.00	4,500	3 1/2	1 1/4	1-3/8 x 11/16		08309-16-20		24.00
8	3.00	5,000	3 1/4	1 15/16	7/8 x 7/16			08300-25-31	24.00
8	3.00	5,000	3 1/4	1	7/8 x 7/16	08301-25-16			24.00
8	3.00	5,000	3 1/4	1 1/4	7/8 x 7/16	08301-25-20			24.00
8	3.00	5,000	3 1/2	3/4	7/8 x 7/16		08309-25-12		24.00
8	3.00	5,000	3 1/2	1	7/8 x 7/16		08309-25-16		24.00
8	4.00	8,400	4 1/4	2 7/16	1-3/4 x 7/8			08400-25-39	30.00
8	4.00	8,400	4 1/4	1 1/4	1-3/4 x 7/8	08401-25-20			30.00
8	4.00	8,400	4 1/4	1 1/2	1-3/4 x 7/8	08401-25-24			30.00
8	4.00	10,000	4 1/2	1	1-3/4 x 7/8		08409-25-16		30.00
8	4.00	10,000	4 1/2	1 1/4	1-3/4 x 7/8		08409-25-20		30.00
8	4.00	15,000	4 1/4	3 1/8^	1-3/4 x 7/8			08408-26-50	31.00
8	4.00	15,000	4 1/2	1 1/4	1-3/4 x 7/8		08409-26-20		31.00
8	4.00	15,000	4 1/2	1 1/2	1-3/4 x 7/8		08409-26-24		31.00

V-GROOVE WHEELS

WHEELS



# V-GROOVE WHEELS 15,000 LBS

WHEEL						PART NUMBER			
Dia.	Width	Capacity	Hub Length	Bore	Width x Depth	Straight Roller	Precision Tapered	Less Bearing	Wt.
10	3.00	3,000	3 1/4	1 15/16	1-3/8 x 11/16			<u>10300-15-31</u>	25.00
10	3.00	3,000	3 1/4	1	1-3/8 x 11/16	<u>10301-15-16</u>			25.00
10	3.00	3,000	3 1/4	1 1/4	1-3/8 x 11/16	<u>10301-15-20</u>			25.00
10	3.00	3,000	3 1/2	3/4	1-3/8 x 11/16		<u>10309-15-12</u>		25.00
10	3.00	3,500	3 1/4	2 7/16	1-3/8 x 11/16			<u>10300-16-39</u>	25.00
10	3.00	3,500	3 1/4	1 1/4	1-3/8 x 11/16	<u>10301-16-20</u>			25.00
10	3.00	3,500	3 1/4	1 1/2	1-3/8 x 11/16	<u>10301-16-24</u>			25.00
10	3.00	3,500	3 1/2	1	1-3/8 x 11/16		<u>10309-16-16</u>		25.00
10	3.00	3,500	3 1/2	1 1/4	1-3/8 x 11/16		<u>10309-16-20</u>		25.00
10	3.00	5,000	3 1/4	1 15/16	1-3/8 x 11/16			<u>10300-25-31</u>	27.00
10	3.00	5,000	3 1/4	1	1-3/8 x 11/16	<u>10301-25-16</u>			27.00
10	3.00	5,000	3 1/4	1 1/4	1-3/8 x 11/16	<u>10301-25-20</u>			27.00
10	3.00	5,000	3 1/2	3/4	1-3/8 x 11/16		<u>10309-25-12</u>		27.00
10	3.00	5,000	3 1/2	1	1-3/8 x 11/16		<u>10309-25-16</u>		27.00
10	3.00	6,000	3 1/4	2 7/16	1-3/8 x 11/16			<u>10300-26-39</u>	27.00
10	3.00	6,000	3 1/4	1 1/4	1-3/8 x 11/16	<u>10301-26-20</u>			27.00
10	3.00	6,000	3 1/4	1 1/2	1-3/8 x 11/16	<u>10301-26-24</u>			27.00
10	3.00	6,000	3 1/2	1	1-3/8 x 11/16		<u>10309-26-16</u>		27.00
10	3.00	6,000	3 1/2	1 1/4	1-3/8 x 11/16		<u>10309-26-20</u>		27.00
10	4.00	8,400	4 1/4	2 7/16	1-3/4 x 7/8			<u>10400-25-39</u>	48.00
10	4.00	8,400	4 1/4	1 1/4	1-3/4 x 7/8	<u>10401-25-20</u>			48.00
10	4.00	8,400	4 1/4	1 1/2	1-3/4 x 7/8	<u>10401-25-24</u>			48.00
10	4.00	10,000	4 1/2	1	1-3/4 x 7/8		<u>10409-25-16</u>		48.00
10	4.00	10,000	4 1/2	1 1/4	1-3/4 x 7/8		<u>10409-25-20</u>		48.00
10	4.00	15,000	4 1/4	3 1/8 <sup>^</sup>	1-3/4 x 7/8			<u>10408-26-50</u>	48.00
10	4.00	15,000	4 1/2	1 1/4	1-3/4 x 7/8		<u>10409-26-20</u>		48.00
10	4.00	15,000	4 1/2	1 1/2	1-3/4 x 7/8		<u>10409-26-24</u>		48.00
12	5.00	9,500	5 1/4	1 1/4	2 x 1	<u>12501-16-20*</u>			110.00
12	5.00	9,500	5 1/4	1 1/2	2 x 1	<u>12501-16-24*</u>			110.00
12	5.00	12,000	5 1/2	1 1/4	2 x 1		<u>12509-16-20*</u>		110.00
12	5.00	12,000	5 1/2	1 1/2	2 x 1		<u>12509-16-24*</u>		110.00

Capacity listed is for manual operation.  
 For powered operations, consult factory.  
<sup>^</sup> Dimensions for tapered bearing bore.  
 \* These wheels are ductile iron.  
 All dimensions are in inches. All weights are in pounds.



# FLANGED WHEELS

12,000 LIBS maximum capacity

FLANGED WHEELS



Item Shown: 08209-28-16

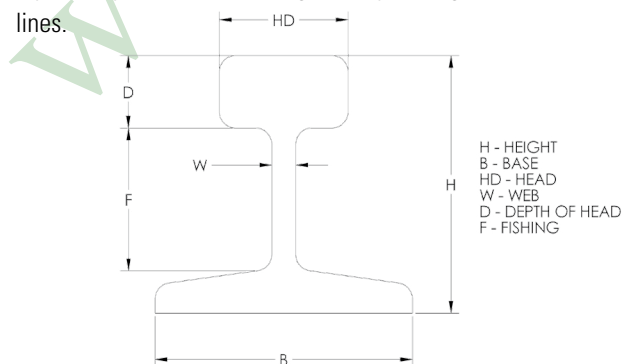
## BENEFITS

The flanged wheel is designed to operate on steel tracking to minimize guidance and rolling effort. These wheels are constructed of premium cast iron and steel for high strength and long wear.

Various bore sizes are available for use with keyway or a variety of bearings.

## APPLICATIONS

Flanged wheels are excellent for precise alignment of work, captive turntables or repetitive processes, including foundry cooling lines.

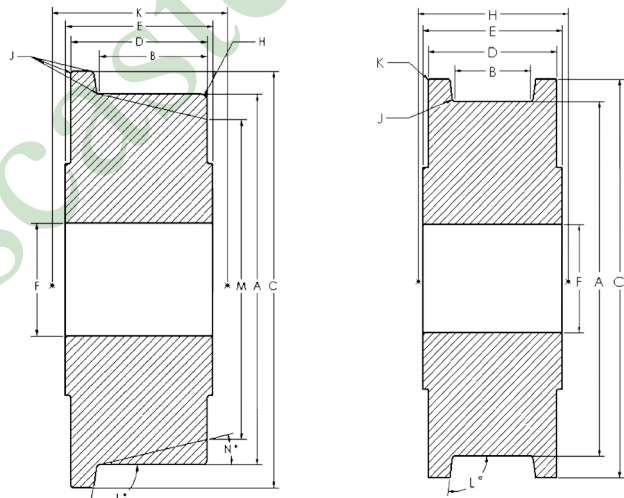


## FEATURES

**Bearings:** Roller, tapered.

**Temperature:** Maximum to 800° F with proper bearing and lubrication.

**Standard:** All 1-1/2" and 2" width wheels with 3/4" roller bearing are supplied with 1/2" spanner bushing.



WHEELS

Rail Sizes						
Weight	Dimensions					
LB/FT	H	B	HD	W	D	F
12	2	2	1	3/16	9/16	1-1/32
16	2-3/8	2-3/8	1-11/64	7/32	41/64	1-23/64
20	2-5/8	2-5/8	1-11/32	1/4	23/32	1-15/32
25	2-3/4	2-3/4	1-1/2	19/64	25/32	1-31/64
30	3-1/8	3-1/8	1-11/16	21/64	7/8	1-23/32
40	3-1/2	3-1/2	1-7/8	25/64	1-1/64	1-55/64
60	4-1/4	4-1/4	2-3/8	31/64	1-7/32	2-17/64
80	5	5	2-1/2	35/64	1-1/2	2-5/8
85	5-3/16	5-3/16	2-9/16	9/16	1-35/64	2-3/4
90	5-5/8	5-1/8	2-9/16	9/16	1-15/32	3-5/32
100	6	5-3/8	2-11/16	9/16	1-21/32	3-9/32



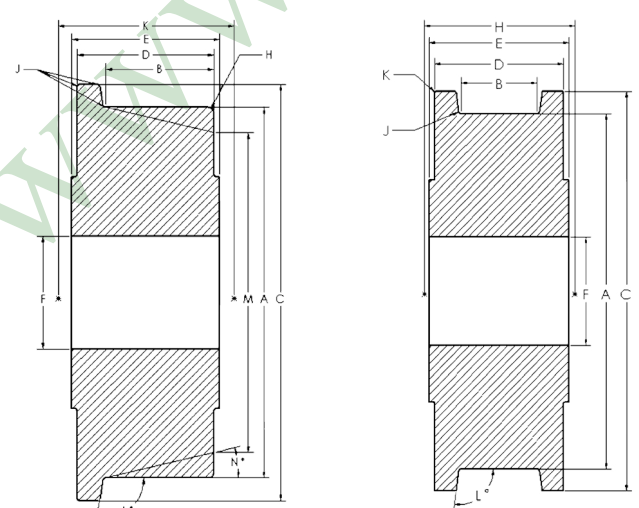
# FLANGED WHEELS 12,000 LBS

WHEEL								PART NUMBER			
Dia. A	Width B	Dia. C	Width D	Capacity	Hub Length E	Bore F	Hub Dia. G	Straight Roller	Precision Tapered	Less Bearing	Wt.
<b>Single Flanged Wheels</b>											
3.50	1.31	4.50	1.69	1,000	1 15/16	3/4	2 1/8	03101-18-12			5.00
3.50	1.31	4.50	1.69	1,000	1 15/16	1 3/16	2 1/8			03100-18-19	5.00
4.00	2.00	5.25	3.00	5,000	3 1/2	1	2 1/2		04209-18-16		10.00
4.50	2.25	5.50	3.00	5,000	3 1/4	2 7/16	2 1/2			04258-18-39	15.00
4.50	2.25	5.50	3.00	5,000	3 1/2	1	3 3/4		04259-18-16		15.00
4.50	2.25	5.50	3.00	5,000	3 1/2	1 1/4	3 3/4		04259-18-20		15.00
4.50	2.25	5.50	3.00	5,000	3 1/4	1 15/16	3 3/4			04250-18-31	15.00
4.50	2.25	5.50	3.00	4,000	3 1/4	1	3 3/4	04251-18-16			15.00
4.50	2.25	5.50	3.00	4,000	3 1/4	1 1/4	3 3/4	04251-18-20			15.00
5.00	2.06	6.00	2.69	6,000	3 1/4	1 1/4	3 7/8	05201-28-20			15.00
5.00	2.06	6.00	2.69	6,000	3 1/4	1 1/2	3 7/8	05201-28-24			15.00
5.00	2.06	6.00	2.69	10,000	3 1/4	2 7/16	3 7/8			05208-28-39	15.00
5.00	2.06	6.00	2.69	10,000	3 1/2	1	3 7/8		05209-28-16		15.00
5.00	2.06	6.00	2.69	10,000	3 1/2	1 1/4	3 7/8		05209-28-20		15.00
6.00	1.63	6.75	2.00	900	2 3/16	1 3/16	1 3/4			06150-18-19	18.00
6.00	1.63	6.75	2.00	900	2 3/16	3/4	1 3/4	06151-18-12			18.00
6.13	1.69	7.00	2.13	5,000	2 3/4	1 15/16	3			06200-18-31	24.00
6.13	1.69	7.00	2.13	4,000	2 3/4	1 1/4	3	06201-18-20			24.00
6.13	1.69	7.00	2.13	5,000	3	3/4	3		06209-18-12		24.00
6.13	1.69	7.00	2.13	5,000	3	1	3		06209-18-16		24.00
6.00	2.00	7.00	2.75	3,500	3 1/4	1 15/16	3			06250-18-31	20.50
6.00	2.00	7.00	2.75	3,500	3 1/4	1	3	06251-18-16			20.50
6.00	2.00	7.00	2.75	3,500	3 1/4	1 1/4	3	06251-18-20			20.50
6.00	2.00	7.00	2.75	3,500	3 1/2	3/4	3		06259-18-12		20.50
6.00	2.00	7.00	2.75	3,500	3 1/2	1	3		06259-18-16		20.50
7.87	2.25	9.25	2.75	3,500	3 1/4	2 7/16	3 3/4			07250-18-39	29.00
7.87	2.25	9.25	2.75	3,500	3 1/4	1 1/4	3 3/4	07251-18-20			29.00
7.87	2.25	9.25	2.75	3,500	3 1/4	1 1/2	3 3/4	07251-18-24			29.00
7.87	2.25	9.25	2.75	3,500	3 1/2	1	3 3/4		07259-18-16		29.00
7.87	2.25	9.25	2.75	3,500	3 1/2	1 1/4	3 3/4		07259-18-20		29.00
7.87	1.75	8.63	2.25	3,000	2 1/2	1 3/16	2 7/8			08200-18-19	27.00
7.87	1.75	8.63	2.25	3,000	2 1/2	1 15/16	2 7/8			08200-18-31	27.00
7.87	1.75	8.63	2.25	3,000	2 1/2	3/4	2 7/8	08201-18-12			27.00
7.87	1.75	8.63	2.25	3,000	2 1/2	1	2 7/8	08201-18-16			27.00
7.87	1.75	8.63	2.25	3,000	2 1/2	1 1/4	2 7/8	08201-18-20			27.00
7.87	1.75	8.63	2.25	3,000	2 3/4	3/4	2 7/8		08209-18-12		27.00
8.00	2.38	9.00	3.00	15,000	3 1/4	2 7/16	5			08200-28-39	48.00
8.00	2.38	9.00	3.00	6,000	3 1/4	1 1/4	5	08201-28-20			48.00
8.00	2.38	9.00	3.00	6,000	3 1/4	1 1/2	5	08201-28-24			48.00
8.00	2.38	9.00	3.00	10,000	3 1/2	1	5		08209-28-16		48.00
8.00	2.38	9.00	3.00	10,000	3 1/2	1 1/4	5		08209-28-20		48.00

WHEEL								PART NUMBER			
Dia. A	Width B	Dia. C	Width D	Capacity	Hub Length E	Bore F	Hub Dia. G	Straight Roller	Precision Tapered	Less Bearing	Wt.
8.00	2.25	9.50	3.00	3,500	3 1/4	2 7/16	3 3/4			<u>08250-18-39</u>	33.00
8.00	2.25	9.50	3.00	3,500	3 1/4	1 1/4	3 3/4	<u>08251-18-20</u>			33.00
8.00	2.20	9.50	3.00	3,500	3 1/4	1 1/2	3 3/4	<u>08251-18-24</u>			33.00
8.00	2.25	9.50	3.00	3,500	3 1/2	1	3 3/4		<u>08259-18-16</u>		33.00
8.00	2.25	9.50	3.00	3,500	3 1/2	1 1/4	3 3/4		<u>08259-18-20</u>		33.00
10.00	4.00	12.00	5.00	12,000	6	3 1/8	4 1/2			<u>10408-18-50</u>	90.00
10.00	4.00	12.00	5.00	12,000	6 1/4	1 1/4	4 1/2		<u>10409-18-20</u>		90.00
10.00	4.00	12.00	5.00	12,000	6 1/4	1 1/2	4 1/2		<u>10409-18-24</u>		90.00
14.88	2.56	16.88	3.38	8,000	4 1/4	2 7/16	4 1/2			<u>15250-18-39</u>	100.00
14.88	2.56	16.88	3.38	8,000	4 1/4	1 1/4	4 1/2	<u>15251-18-20</u>			100.00
14.88	2.56	16.88	3.38	8,000	4 1/4	1 1/2	4 1/2	<u>15251-18-24</u>			100.00
14.88	2.56	16.88	3.38	8,000	4 1/2	1	4 1/2		<u>15259-18-16</u>		100.00
14.88	2.56	16.88	3.38	8,000	4 1/2	1 1/4	4 1/2		<u>15259-18-20</u>		100.00

Dual Flanged Wheels

5.00	1.69	6.00	3.00	10,000	3 1/4	2 7/16	3 7/8			<u>05200-29-39</u>	17.00
5.00	1.69	6.00	3.00	6,000	3 1/4	1 1/4	3 7/8	<u>05201-29-20</u>			17.00
5.00	1.69	6.00	3.00	6,000	3 1/4	1 1/2	3 7/8	<u>05201-29-24</u>			17.00
5.00	1.69	6.00	3.00	10,000	3 1/2	1	3 7/8		<u>05209-29-16</u>		17.00
5.00	1.69	6.00	3.00	10,000	3 1/2	1 1/4	3 7/8		<u>05209-29-20</u>		17.00
6.00	2.13	7.25	3.00	6,000	3 1/4	1 15/16	3			<u>06200-19-31</u>	26.00
6.00	2.13	7.25	3.00	5,000	3 1/4	1	3	<u>06201-19-16</u>			26.00
6.00	2.13	7.25	3.00	5,000	3 1/4	1 1/4	3	<u>06201-19-20</u>			26.00
6.00	2.13	7.25	3.00	5,000	3 1/2	3/4	3		<u>06209-19-12</u>		26.00
6.00	2.13	7.25	3.00	6,000	3 1/2	1	3		<u>06209-19-16</u>		26.00
8.00	1.76	9.00	3.00	15,000	3 1/4	2 7/16	5			<u>08200-29-39</u>	50.00
8.00	1.76	9.00	3.00	6,000	3 1/4	1 1/4	5	<u>08201-29-20</u>			50.00
8.00	1.76	9.00	3.00	6,000	3 1/4	1 1/2	5	<u>08201-29-24</u>			50.00
8.00	1.76	9.00	3.00	15,000	3 1/4	2 7/16	5			<u>08208-29-39</u>	50.00
8.00	1.76	9.00	3.00	10,000	3 1/2	1	5		<u>08209-29-16</u>		50.00
8.00	1.76	9.00	3.00	10,000	3 1/2	1 1/4	5		<u>08209-29-20</u>		50.00
10.00	3.00	12.00	5.00	12,000	6	3 1/8	4 1/2			<u>10308-19-50</u>	95.00
10.00	3.00	12.00	5.00	12,000	6 1/4	1 1/4	4 1/2		<u>10309-19-20</u>		95.00
10.00	3.00	12.00	5.00	12,000	6 1/4	1 1/2	4 1/2		<u>10309-19-24</u>		95.00



(ITEM SHOWN: 05201-29-20)



# FORGED STEEL WHEELS

**20,000** LBS maximum capacity



Item Shown: 05201-20-12

## BENEFITS

Forged steel wheels are hot forged from high carbon steel billets heated to 2,400 degrees Fahrenheit then repeatedly hit by high tonnage forging hammers. This process enhances the grain structure and increases the ductility and tensile strength (64,000 psi) of the wheel. The wheels are then precision machined flat with rounded edges to finished tolerances.

Forged steel wheels offer the greatest load capacity, impact strength and rollability of all caster wheels.

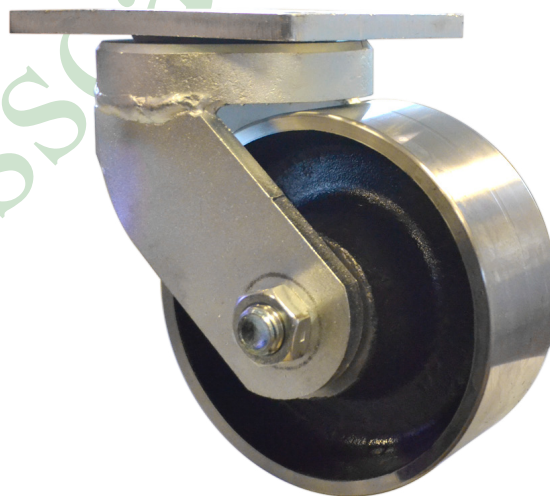
Wheel material codes: forged steel (20); heavy duty forged steel (21); ductile iron (12).

## FEATURES

**Bearings:** Roller, tapered, plain, teflon.

**Temperature:** Maximum to 800 degrees with proper bearings and lubrication.

**Standard:** All 1-1/2" and 2" wide wheels are supplied with 1/2" spanner standard.



*Forged steel wheels allow users to achieve a greater load capacity as well as being more resistant to heat.*

WHEEL					PART NUMBER			
Dia.	Width	Capacity	Hub Length	Bore	Straight Roller	Precision Tapered	Less Bearing	Wt.
4	1.50	1,400	2 3/16	1 3/16			04100-20-19	3.25
4	1.50	1,400	2 3/16	3/4	04101-20-12			3.25
4	1.50	1,400	2 7/16	1/2		04109-20-08		3.25
5	1.75	1,500	2 3/16	1 3/16			05200-20-19	5.25
5	1.75	1,500	2 3/16	3/4	05201-20-12			5.25
5	1.75	1,800	2 7/16	1/2		05209-20-08		5.25
6	2.00	1,500	2 3/16	1 3/16			06200-20-19	6.25
6	2.00	1,500	2 3/16	3/4	06201-20-12			6.25
6	2.00	2,500	2 7/16	1/2		06209-20-08		6.25
6	2.50	4,000	3 1/4	1 15/16			06250-20-31	12.00
6	2.50	4,000	3 1/4	1 1/4	06251-20-20			12.00
6	2.50	4,000	3 1/4	1	06251-20-16			12.00
6	2.50	5,000	3 1/2	3/4	06259-20-12			12.00
6	2.50	5,000	3 1/2	1		06259-20-16		12.00
6	3.00	6,000	3 1/4	2 7/16			06300-20-39	20.00
6	3.00	6,000	3 1/4	1 1/4	06301-20-20			20.00
6	3.00	6,000	3 1/4	1 1/2	06301-20-24			20.00
6	3.00	10,000	3 1/2	1 1/4		06309-20-20		21.00
6	3.00	10,000	3 1/2	1		06309-20-16		21.00
6	3.00	17,000	3 1/4	3 1/8^			06308-21-50	22.00
6	3.00	17,000	3 1/2	1 1/4		06309-21-20		22.00
6	3.00	17,000	3 1/2	1 1/2		06309-21-24		22.00
8	2.50	4,000	3 1/4	1 15/16			08250-20-31	12.00
8	2.50	4,000	3 1/4	1	08251-20-16			12.00
8	2.50	4,000	3 1/4	1 1/4	08251-20-20			12.00
8	2.50	5,000	3 1/2	3/4		08259-20-12		12.00
8	3.00	4,500	3 1/4	1 15/16			08300-20-31	18.50
8	3.00	4,500	3 1/4	1	08301-20-16			18.50
8	3.00	4,500	3 1/4	1 1/4	08301-20-20			18.50
8	3.00	5,500	3 1/2	3/4		08309-20-12		18.50
8	3.00	5,500	3 1/2	1		08309-20-16		18.50
8	4.00	8,400	4 1/4	2 7/16			08400-20-39	37.00
8	4.00	8,400	4 1/4	1 1/4	08401-20-20			37.00
8	4.00	8,400	4 1/4	1 1/2	08401-20-24			37.00
8	4.00	10,000	4 1/2	1		08409-20-16		37.00
8	4.00	10,000	4 1/2	1 1/4		08409-20-20		37.00
8	4.00	20,000	4 1/4	3 1/8^			08408-21-50^	37.00
8	4.00	20,000	4 1/2	1 1/4		08409-21-20		37.00
8	4.00	20,000	4 1/2	1 1/2		08409-21-24		37.00

FORGED STEEL WHEELS

WHEELS





# FORGED STEEL WHEELS 20,000 LBS

WHEEL					PART NUMBER			
Dia.	Width	Capacity	Hub Length	Bore	Straight Roller	Precision Tapered	Less Bearing	Wt.
10	3.00	5,000	3 1/4	1 15/16			<u>10300-20-31</u>	28.00
10	3.00	5,000	3 1/4	1	<u>10301-20-16</u>			28.00
10	3.00	5,000	3 1/4	1 1/4	<u>10301-20-20</u>			28.00
10	3.00	6,000	3 1/2	3/4		<u>10309-20-12</u>		28.00
10	3.00	6,000	3 1/2	1		<u>10309-20-16</u>		28.00
10	3.00	6,000	3 1/4	2 7/16			<u>10300-21-39</u>	28.00
10	3.00	6,000	3 1/4	1 1/4	<u>10301-21-20</u>			28.00
10	3.00	6,000	3 1/4	1 1/2	<u>10301-21-24</u>			28.00
10	3.00	6,500	3 1/2	1		<u>10309-21-16</u>		28.00
10	3.00	6,500	3 1/2	1 1/4		<u>10309-21-20</u>		28.00
10	4.00	8,400	4 1/4	2 7/16			<u>10400-20-39</u>	48.00
10	4.00	8,400	4 1/4	1 1/4	<u>10401-20-20</u>			48.00
10	4.00	8,400	4 1/4	1 1/2	<u>10401-20-24</u>			48.00
10	4.00	10,000	4 1/2	1		<u>10409-20-16</u>		48.00
10	4.00	10,000	4 1/2	1 1/4		<u>10409-20-20</u>		48.00
10	4.00	20,000	4 1/4	3 1/8 <sup>^</sup>			<u>10408-21-50</u>	48.00
10	4.00	20,000	4 1/2	1 1/4		<u>10409-21-20</u>		48.00
10	4.00	20,000	4 1/2	1 1/2		<u>10409-21-24</u>		48.00
12	4.00	7,500	4 1/4	2 7/16			<u>12400-12-39*</u>	53.00
12	4.00	7,500	4 1/4	1 1/4	<u>12401-12-20*</u>			53.00
12	4.00	7,500	4 1/4	1 1/2	<u>12401-12-24*</u>			53.00
12	4.00	7,500	4 1/2	1		<u>12409-12-16*</u>		53.00
12	4.00	7,500	4 1/2	1 1/4		<u>12409-12-20*</u>		53.00
12	5.00	10,000	5 1/4	1 1/4	<u>12501-12-20*</u>			98.00
12	5.00	10,000	5 1/4	1 1/2	<u>12401-12-24*</u>			98.00
12	5.00	10,000	5 1/2	1 1/4		<u>12509-12-20*</u>		98.00
12	5.00	10,000	5 1/2	1 1/2		<u>12509-12-24*</u>		98.00

<sup>^</sup> Dimensions for tapered bearing bore.

\* These wheels are cast ductile iron.

All dimensions are in inches. All weights are in pounds.



# PREMIUM CAST IRON WHEELS

## 15,000 LBS maximum capacity

PREMIUM CAST IRON WHEELS

WHEELS



Item Shown: 08301-10-20-SB162057

### BENEFITS

Built for high capacity applications, the cast iron wheels can withstand extreme heat. Precision tapered bearings are available to complement the characteristics of the wheels.

### OPTIONS

Wheel material codes: cast iron (10); heavy duty cast iron (11); ductile iron (12).

### FEATURES

These cast iron wheels are constructed of premium Class 30 gray iron for maximum load capacity and impact strength. The wheels feature heavy cross section castings for heavy duty use, abrasion resistance and a long service life. Each wheel is precision machined with rounded edges to finished tolerances.

**Standard:** All 1-1/2" and 2" wide wheels with 3/4" roller bearings are supplied with 1/2" spanner standard.



# PREMIUM CAST IRON WHEELS 15,000 LBS

WHEEL					PART NUMBER			
Dia.	Width	Capacity	Hub Length	Bore	Straight Roller	Precision Tapered	Less Bearing	Wt.
3	1.25	450	1 1/2	3/8			<u>03120-10-06</u>	2.00
3.25	1.50	400	1 5/8	3/4	<u>03151-10-12</u>			3.40
3.25	1.50	400	1 5/8	5/8	<u>03151-10-10</u>			3.40
3.25	2.00	700	2 3/16	3/4	<u>03201-10-12</u>			3.40
4	1.50	600	1 11/16	1/2			<u>04150-10-08</u>	3.40
4	1.50	600	1 5/8	5/8	<u>04151-10-10</u>			3.40
4	2.00	1,000	2 3/16	1 3/16			<u>04200-10-19</u>	4.00
4	2.00	1,000	2 3/16	3/4	<u>04201-10-12</u>			4.00
4	3.00	2,000	3 1/4	1 15/16			<u>04300-10-31</u>	7.00
4	3.00	2,000	3 1/4	1	<u>04301-10-16</u>			7.00
4	3.00	2,000	3 1/4	1 1/4	<u>04301-10-20</u>			7.00
4	3.00	2,000	3 1/2	3/4		<u>04309-10-12</u>		7.00
4	4.00	4,000	4 1/4	2 7/16			<u>04400-10-39</u>	11.00
4	4.00	4,000	4 1/4	1 1/4	<u>04401-10-20</u>			11.00
4	4.00	4,000	4 1/2	1		<u>04409-10-16</u>		11.00
4	4.00	4,000	4 1/2	1 1/4		<u>04409-10-20</u>		11.00
5	1.50	600	1 5/8	3/4	<u>05151-10-12</u>			
5	1.50	600	1 5/8	5/8	<u>05151-10-10</u>			
5	2.00	1,500	2 3/16	1 3/16			<u>05200-10-19</u>	6.00
5	2.00	1,200	2 3/16	3/4	<u>05201-10-12</u>			6.00
5	2.00	1,200	2 3/16	5/8	<u>05201-10-20</u>			
5	2.50	2,000	3 1/4	1 15/16			<u>05250-10-31</u>	7.50
5	2.50	2,000	3 1/4	1	<u>05251-10-16</u>			7.50
5	2.50	2,000	3 1/4	1 1/4	<u>05251-10-20</u>			7.50
5	2.50	2,000	3 1/2	3/4		<u>05259-10-12</u>		7.50
6	1.50	800	1 5/8	3/4	<u>06151-10-12</u>			
6	1.50	800	1 5/8	5/8	<u>06151-10-10</u>			
6	2.00	1,300	2 3/16	1 3/16		<u>06200-10-12</u>		6.80
6	2.00	1,300	2 3/16	3/4	<u>06201-10-12</u>			6.80
6	2.50	2,500	3 1/4	1 15/16			<u>06250-10-31</u>	12.00
6	2.50	2,500	3 1/4	1 1/4	<u>06251-10-20</u>			12.00
6	2.50	2,500	3 1/4	1	<u>06251-10-16</u>			12.00
6	2.50	2,500	3 1/2	3/4		<u>06259-10-12</u>		12.00
6	2.50	2,500	3 1/2	1		<u>06259-10-16</u>		12.00
6	3.00	2,500	3 1/4	1 15/16			<u>06300-10-31</u>	12.00
6	3.00	2,500	3 1/4	1	<u>06301-10-16</u>			12.00
6	3.00	2,500	3 1/4	1 1/4	<u>06301-10-20</u>			12.00
6	3.00	2,500	3 1/2	3/4		<u>06309-10-12</u>		12.00
6	3.00	2,500	3 1/2	1		<u>06309-10-16</u>		12.00

# PREMIUM CAST IRON WHEELS 15,000 LBS



**PREMIUM CAST IRON WHEELS**

**WHEELS**

WHEEL					PART NUMBER			
Dia.	Width	Capacity	Hub Length	Bore	Straight Roller	Precision Tapered	Less Bearing	Wt.
7	3.00	4,000	3 1/4	1 15/16			<u>07300-10-31</u>	27.00
7	3.00	4,000	3 1/4	1	<u>07301-10-16</u>			27.00
7	3.00	4,000	3 1/4	1 1/4	<u>07301-10-20</u>			27.00
7	3.00	4,000	3 1/2	3/4		<u>07309-10-12</u>		27.00
7	3.00	6,000	3 1/4	2 7/16			<u>07300-11-39</u>	27.00
7	3.00	6,000	3 1/4	1 1/4	<u>07301-11-20</u>			27.00
7	3.00	6,000	3 1/4	1 1/2	<u>07301-11-24</u>			27.00
7	3.00	6,000	3 1/2	1		<u>07309-11-16</u>		27.00
7	3.00	6,000	3 1/2	1 1/4		<u>07309-11-20</u>		27.00
8	2.00	1,500	2 3/16	1 3/16			<u>08200-10-19</u>	7.50
8	2.00	1,500	2 3/16	3/4	<u>08201-10-12</u>			7.50
8	2.00	1,500	2 3/16	5/8	<u>08201-10-10</u>			7.50
8	3.00	3,500	3 1/4	1 15/16			<u>08300-10-31</u>	15.00
8	3.00	3,500	3 1/4	1	<u>08301-10-16</u>			15.00
8	3.00	3,500	3 1/4	1 1/4	<u>08301-10-20</u>			15.00
8	3.00	4,500	3 1/2	3/4		<u>08309-10-12</u>		15.00
8	3.00	4,500	3 1/4	1 1/4	<u>08301-11-20</u>			25.00
8	3.00	4,500	3 1/2	1		<u>08309-11-20</u>		25.00
8	3.00	4,500	3 1/2	1 1/4		<u>08309-11-20</u>		25.00
8	4.00	5,000	4 1/4	2 7/16			<u>08400-10-39</u>	28.00
8	4.00	5,000	4 1/4	1 1/4	<u>08401-10-20</u>			28.00
8	4.00	5,000	4 1/2	1		<u>08409-10-16</u>		28.00
8	4.00	5,000	4 1/2	1 1/4		<u>08409-10-20</u>		28.00
10	3.00	3,500	3 1/4	1 15/16			<u>10300-10-31</u>	30.00
10	3.00	3,500	3 1/4	1	<u>10301-10-16</u>			30.00
10	3.00	3,500	3 1/4	1 1/4	<u>10301-10-20</u>			30.00
10	3.00	3,500	3 1/2	3/4		<u>10309-10-12</u>		30.00
10	3.00	3,500	3 1/2	1		<u>10309-10-16</u>		30.00
10	3.00	4,000	3 1/4	2 7/16			<u>10300-11-39</u>	30.00
10	3.00	4,000	3 1/4	1 1/4	<u>10301-11-20</u>			30.00
10	3.00	4,000	3 1/4	1 1/2	<u>10301-11-24</u>			30.00
10	3.00	4,000	3 1/2	1		<u>10309-11-16</u>		30.00
10	3.00	4,000	3 1/2	1 1/4		<u>10309-11-20</u>		30.00
10	4.00	6,000	4 1/4	2 7/16			<u>10400-10-39</u>	32.00
10	4.00	6,000	4 1/4	1 1/4	<u>10401-10-20</u>			32.00
10	4.00	6,000	4 1/2	1		<u>10409-10-16</u>		32.00
10	4.00	6,000	4 1/2	1 1/4		<u>10409-10-20</u>		32.00



# PREMIUM CAST IRON WHEELS 15,000 LBS

WHEEL					PART NUMBER			
Dia.	Width	Capacity	Hub Length	Bore	Straight Roller	Precision Tapered	Less Bearing	Wt.
12	2.50	2,500	3 1/4	1	<a href="#">12251-10-16</a>			37.00
12	2.50	2,500	3 1/4	1 1/4	<a href="#">12251-10-20</a>			37.00
12	3.00	3,000	3 1/4	1	<a href="#">12301-10-16</a>			39.00
12	3.00	3,000	3 1/4	1 1/4	<a href="#">12301-10-20</a>			39.00
12	3.00	3,000	3 1/2	3/4		<a href="#">12309-10-12</a>		39.00
12	3.00	3,000	3 1/2	1		<a href="#">12309-10-16</a>		39.00
12	4.00	7,500	4 1/4	1 1/4	<a href="#">12401-12-20*</a>			53.00
12	4.00	7,500	4 1/4	2 7/16			<a href="#">12400-12-39*</a>	53.00
12	4.00	7,500	4 1/4	1 1/2	<a href="#">12401-12-24*</a>			53.00
12	4.00	7,500	4 1/2	1		<a href="#">12409-12-16*</a>		53.00
12	4.00	7,500	4 1/2	1 1/4		<a href="#">12409-12-20*</a>		53.00
12	5.00	10,000	5 1/4	1 1/4	<a href="#">12501-12-20*</a>			98.00
12	5.00	10,000	5 1/4	1 1/2	<a href="#">12501-12-24*</a>			98.00
12	5.00	15,000	5 1/2	1 1/4		<a href="#">12509-12-20*</a>		98.00
12	5.00	15,000	5 1/2	1 1/2		<a href="#">12509-12-24*</a>		98.00
12	6.00	10,000	6 1/2	1 1/4		<a href="#">12609-10-20</a>		75.00
12	6.00	10,000	6 1/2	1 1/2		<a href="#">12609-10-24</a>		75.00
14	4.00	7,000	4 1/4	1 1/4	<a href="#">14401-10-20</a>			60.00
14	4.00	7,000	4 1/4	2 7/16			<a href="#">14400-10-39</a>	60.00
14	4.00	7,000	4 1/2	1		<a href="#">14409-10-16</a>		60.00
14	4.00	7,000	4 1/2	1 1/4		<a href="#">14409-10-20</a>		60.00
16	3.00	3,000	3 1/4	1	<a href="#">16301-10-16</a>			64.00
16	3.00	3,000	3 1/4	1 1/4	<a href="#">16301-10-20</a>			64.00
16	3.00	3,000	3 1/2	1		<a href="#">16309-10-16</a>		64.00
16	4.00	7,500	4 1/4	2 7/16			<a href="#">16400-10-39</a>	72.00
16	4.00	7,500	4 1/4	1 1/4	<a href="#">16401-10-20</a>			72.00
16	4.00	7,500	4 1/4	1 1/2	<a href="#">16401-10-24</a>			72.00
16	4.00	7,500	4 1/2	1		<a href="#">16409-10-16</a>		72.00
16	4.00	7,500	4 1/2	1 1/4		<a href="#">16409-10-20</a>		72.00
16	4.00	7,500	4 1/2	1 1/2		<a href="#">16409-10-24</a>		72.00

Capacity listed is for manual operation. For powered operations, consult factory.  
 \* These wheels are cast ductile iron. All dimensions are in inches. All weights are in pounds.



# PHENOLIC RESIN WHEELS

**8,000** LBS maximum capacity

PHENOLIC RESIN WHEELS

WHEELS



Item Shown: 08201-30-12

## FEATURES

**Bearings:** Precision ball, delrin, straight roller and tapered.

**Standard:** All 1-1/2" and 2" wide wheels with 3/4" roller bearings are supplied with 1/2" spanner standard.

## BENEFITS

A wide selection of phenolic resin wheels are available in inventory. The wheels shown in the chart are laminated phenolic.

Standard black phenolic wheels (30) feature macerated canvas duck compression molded with premium phenolic resins to produce a value/price relationship.

High temperature phenolic wheels (32) provide continuous service up to 425° Fahrenheit and intermittently to 500° Fahrenheit.

Laminated phenolic wheels (35) feature a continuous wound tread with a macerated canvas center. The wheels have a 40% higher impact resistance and carry up to 25% higher load than standard phenolic wheels.

## APPLICATIONS

Phenolic wheels are excellent for waste bins, platform trucks, heavy material handling, autoclaves, baking ovens, curing ovens and high temperature bakery applications.



**THE CONTINUOUS WRAP PROCESS OF A PHENOLIC WHEEL MAKES IT LONGER WEARING PRODUCT THAT HAS A HIGHER RESISTANCE TO CHIPPING AND FRAYING. (ITEM SHOWN: 70-12301-30-1LP)**





# PHENOLIC RESIN WHEELS 8,000 LBS

WHEEL							PART NUMBER			
Dia.	Width	Standard Capacity	Laminated Capacity	High Temp Capacity	Hub Length	Bore	Straight Roller	Precision Tapered	Ball Bearing	Wt.
5	2.00	1,000	1,200	750	2 3/16	1/2			05204-30-08*	2.25
5	2.00	1,000	1,200	750	2 3/16	3/4	<u>05201-30-12</u>			2.25
6	2.00	1,200	1,500	900	2 3/16	3/4	<u>06201-30-12</u>			3.00
6	2.00	1,200	1,500	900	2 7/16	1/2			06204-30-08*	3.00
6	3.00	2,000	2,000	1,700	3 1/2	3/4			<u>06302-30-12</u>	5.00
6	3.00	2,000	2,000	1,700	3 1/4	1	<u>06301-30-16</u>			5.00
6	3.00	2,000	2,000	1,700	3 1/4	1 1/4	<u>06301-30-20</u>			5.00
6	3.00	2,000	2,000	1,700	3 1/2	3/4		<u>06309-30-12</u>		5.00
6	3.00	2,000	2,000	1,700	3 1/2	1		<u>06309-30-16</u>		5.00
8	2.00	1,400	1,400	1,100	2 7/16	1/2			08204-30-08*	4.00
8	2.00	1,400	1,400	1,100	2 3/16	3/4	<u>08201-30-12</u>			4.00
8	3.00	2,500	3,000	1,900	3 1/2	3/4			<u>08302-30-12</u>	7.00
8	3.00	2,500	3,000	1,900	3 1/4	1	<u>08301-30-16</u>			7.00
8	3.00	2,500	3,000	1,900	3 1/4	1 1/4	<u>08301-30-20</u>			7.00
8	3.00	2,500	3,000	1,900	3 1/2	3/4		<u>08309-30-12</u>		7.00
8	3.00	2,500	3,000	1,900	3 1/2	1		<u>08309-30-16</u>		7.00
10	3.00	2,900	3,400	2,400	3 1/2	3/4			<u>10302-30-12</u>	9.75
10	3.00	2,900	3,400	2,400	3 1/4	1	<u>10301-30-16</u>			9.75
10	3.00	2,900	3,400	2,400	3 1/4	1 1/4	<u>10301-30-20</u>			9.75
10	3.00	2,900	3,400	2,400	3 1/2	3/4		<u>10309-30-12</u>		9.75
10	3.00	2,900	3,400	2,400	3 1/2	1		<u>10309-30-16</u>		9.75
10	3.00	2,900	3,400	2,400	3 1/2	1 1/4		<u>10309-30-20</u>		9.75
12	3.00	3,500	4,200	2,600	3 1/2	3/4			<u>12302-30-12</u>	13.00
12	3.00	3,500	4,200	2,600	3 1/4	1	<u>12301-30-16</u>			13.00
12	3.00	3,500	4,200	2,600	3 1/4	1 1/4	<u>12301-30-20</u>			13.00
12	3.00	3,500	4,200	2,600	3 1/2	3/4		<u>12309-30-12</u>		13.00

All dimensions are in inches. All weights are in pounds.

\* These casters have annular ball bearings.

Note: part numbers listed are for Standard Phenolic wheels, for High Temp use "32" in place of "30" and for Laminated Phenolic use "35" in place of "30"

# POLYURETHANE WHEELS

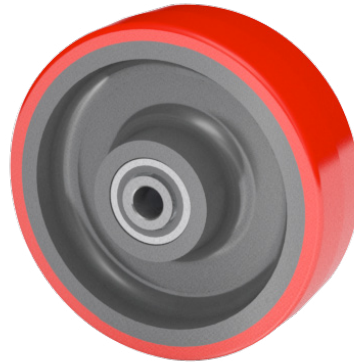


POLYURETHANE WHEELS

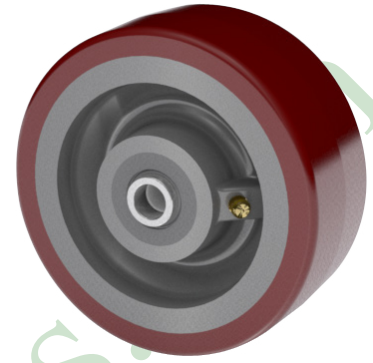
WHEELS

Caster Concepts has gained a reputation in the industry for application-oriented solutions to tough material handling and mobility problems. Establishing a market for custom and special casters and wheels has driven the need for developing expertise in engineering application solutions with a variety of premium urethane elastomers.

Caster Concepts, in partnership with leading producers of polyurethane prepolymers, is continually working to develop products for a wide range of customer specific needs. While there are standard "go to" products that work in a variety of applications, Caster Concepts is expanding its market reach by applying its application knowledge to solve tough performance applications in a variety of industries. Success in this area includes:



**T/R Compound Ergonomic wheels, excellent for manual pushed loads up to 1,500 pounds per dolly**



**95A durometer high load capacity economic floor protective wheel.**

## T/R COMPOUND URETHANE WHEELS

This material produces a softer durometer wheel that resists the accumulation of metal chips, sheet metal screws, and foreign objects often found in manufacturing facilities. The high rebound of this material provides increased rollability in ergonomic in-plant applications, and has become a favorite in production line delivery systems across the country.

## HIGH SPEED WHEELS

Caster Concepts has worked to develop a line of wheels that will withstand the rigors of higher loads and speeds found in today's lift truck industries. These wheels are able to dissipate the heat being generated through the load, the speed, or a combination of both.



**70D durometer for heavy loads, floor protection and ease of movement.**

## STANDARD POLYURETHANE

Caster Concepts' standard durometer 95A polyurethane is easily identified by its Maroon color. This material is economical, provides, lower rolling resistance than rubber wheels and are floor protective.

## ELASTOMERS

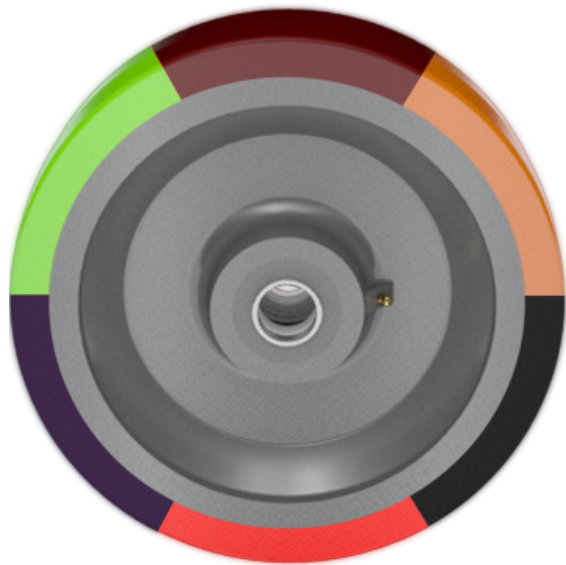
Processed in-house, elastomers provide flexibility in material choice, hardness, and finished size. Caster Concepts is adept at processing MDI polyesters, and TDI polyesters and polyesters, in a wide range of durometers from 50 durometer shore A to 70 durometer shore D scale.



**High speed urethane offers performance under sever applications**

# POLYURETHANE WHEELS

**11,250** LBS maximum capacity



## BEARINGS

**SEALED PRECISION BALL:** Precision ball bearings offer the lowest rolling resistance for ergonomic applications. These bearings are often referred to as “sealed for life” due to their being rubber seals on both sides. These bearings are capable of applications where towing up to 5 mph is present, please consult the factory.

**ROLLER BEARING:** These commercial bearings are used when a low cost anti-friction bearing is required, they provide excellent load carrying capacity, at an economical cost.

**PRECISION TAPERED:** Tapered bearings are used in applications where towing and capacity are present. Tapered bearings do to their nature are adjusted tight at the factory to provide a preload thrust component to the wheel. Tapered bearings are not recommended for applications where there is a high amount of manual movement required.

**DELTRIN:** Delrin bearings are a friction type bearing used in wet applications where light loads and infrequent movement is present.

**OILITE:** Oilite bearings offer a low cost friction bearing where heat, moisture, infrequent movement or lighter loads are part of the application.

## TESTING

In-house test dynamometers, with sophisticated metering equipment, allow Caster Concepts to develop test parameters for product duty – life cycle profile testing and performance evaluations prior to delivery to the field.

## METRIC WHEELS

The capability to control the production of wheels through design, production, product testing and final shipment, has driven Caster Concepts to design and develop a full line of metric wheels for replacement on equipment produced in Europe and Asia.

Metric wheel diameters available include:

50 mm	180 mm	230 mm
80 mm	200 mm	250 mm
125 mm	220 mm	300 mm

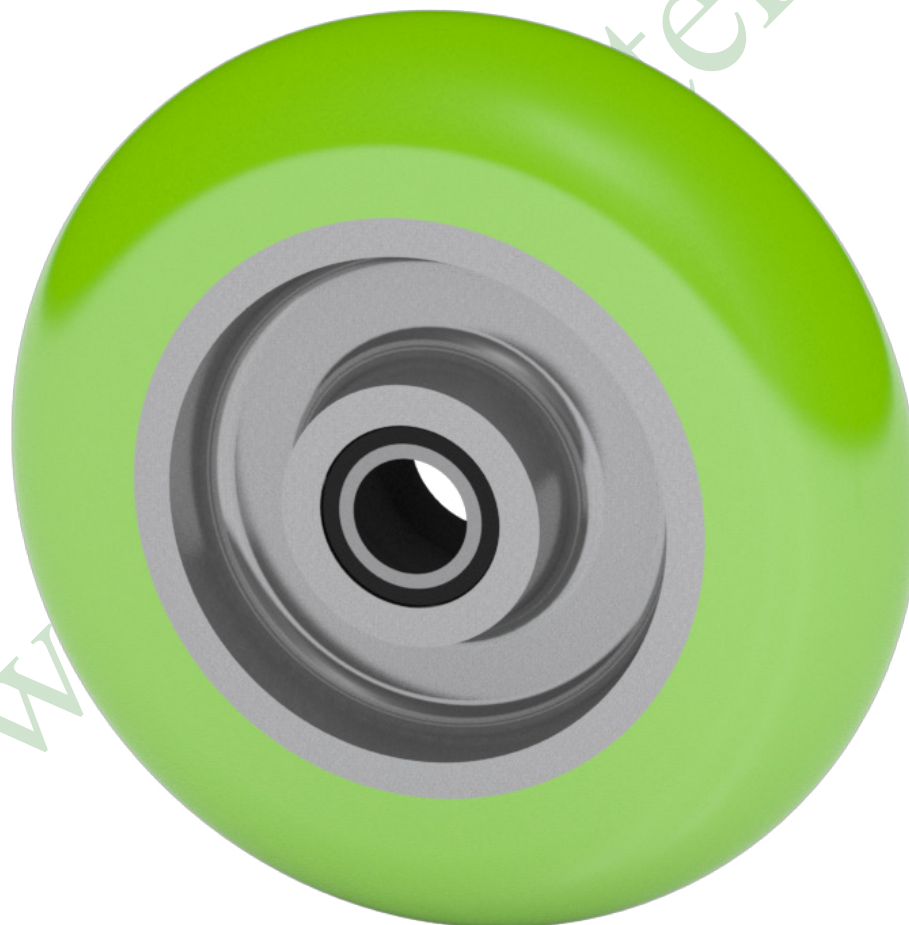
# ROUND TREAD POLY WHEELS 3,600 LBS



ROUND TREAD POLY WHEELS

RUEDA					PART NUMBER		PART NUMBER		PART NUMBER		PART NUMBER		PART NUMBER		
Dia.	Width	Hub Length	Bore	Bearing	T/R-85	Cap.	Std. Poly	Cap.	Hard Poly	Cap.	ErgoTread	Cap.	TR-95	Cap.	Wt.
4	2.00	2 7/16	1/2	Precision	<a href="#">04202-51-08</a>	500	<a href="#">04202-50-08</a>	600	<a href="#">04202-53-08</a>	700	04202-43-08	475	04202-56-08	650	3.00
6	2.00	2 7/16	1/2	Precision	<a href="#">06202-51-08</a>	800	<a href="#">06202-50-08</a>	1,000	<a href="#">06202-53-08</a>	1,200	06202-43-08	760	06202-56-08	1,100	4.00
8	2.00	2 7/16	1/2	Precision	<a href="#">08202-51-08</a>	1,000	<a href="#">08202-50-08</a>	1,000	<a href="#">08202-53-08</a>	1,500	08202-43-08	950	08202-56-08	1,400	5.50

(ITEM SHOWN: SP141204)



WHEELS



# STANDARD PROFILE POLY WHEELS 5,040 LBS

WHEEL					PART NUMBER		PART NUMBER		PART NUMBER		PART NUMBER		PART NUMBER		
Dia.	Width	Hub Length	Bore	Bearing	T/R-85	Cap.	Std. Poly	Cap.	Hard Poly	Cap.	HPPT	Cap.	TR-95	Cap.	Wt.
4	2.00	2 3/16	1 3/16		<a href="#">04200-61-19</a>	600	<a href="#">04200-60-19</a>	750	<a href="#">04200-63-19</a>	900	<a href="#">04200-90-19</a>	1,100	<a href="#">04200-91-19</a>	1,000	3.00
4	2.00	2 3/16	3/4	Roller	<a href="#">04201-61-12</a>	600	<a href="#">04201-60-12</a>	750	<a href="#">04201-63-12</a>	900	<a href="#">04201-90-12</a>	1,100	<a href="#">04201-91-12</a>	1,000	3.00
4	2.00	2 7/16	1/2	Tapered	<a href="#">04209-61-08</a>	600	<a href="#">04209-60-08</a>	750	<a href="#">04209-63-08</a>	900	<a href="#">04209-90-08</a>	1,100	<a href="#">04209-91-08</a>	1,000	3.00
4	3.25	3 1/4	1 15/16		<a href="#">04320-61-31</a>	1,020	<a href="#">04320-60-31</a>	1,275	<a href="#">04320-63-31</a>	1,530	<a href="#">04320-90-31</a>	1,750	<a href="#">04320-91-31</a>	1,575	5.00
4	3.25	3 1/4	1	Roller	<a href="#">04321-61-16</a>	1,020	<a href="#">04321-60-16</a>	1,275	<a href="#">04321-63-16</a>	1,530	<a href="#">04321-90-16</a>	1,750	<a href="#">04321-91-16</a>	1,575	5.00
4	3.25	3 1/4	1 1/4	Roller	<a href="#">04321-61-20</a>	1,020	<a href="#">04321-60-20</a>	1,275	<a href="#">04321-63-20</a>	1,530	<a href="#">04321-90-20</a>	1,750	<a href="#">04321-91-20</a>	1,575	5.00
4	3.25	3 1/2	3/4	Tapered	<a href="#">04329-61-12</a>	1,020	<a href="#">04329-60-12</a>	1,275	<a href="#">04329-63-12</a>	1,530	<a href="#">04329-90-12</a>	1,750	<a href="#">04329-91-12</a>	1,575	5.00
4	3.25	3 1/2	1	Tapered	<a href="#">04329-61-16</a>	1,020	<a href="#">04329-60-16</a>	1,275	<a href="#">04329-63-16</a>	1,530	<a href="#">04329-90-16</a>	1,750	<a href="#">04329-91-16</a>	1,575	5.00
4	4.00	4 1/4	2 7/16		<a href="#">04400-61-39</a>	1,280	<a href="#">04400-60-39</a>	1,600	<a href="#">04400-63-39</a>	1,920	<a href="#">04400-90-39</a>	2,100	<a href="#">04400-91-39</a>	1,890	10.00
4	4.00	4 1/4	1 1/4	Roller	<a href="#">04401-61-20</a>	1,280	<a href="#">04401-60-20</a>	1,600	<a href="#">04401-63-20</a>	1,920	<a href="#">04401-90-20</a>	2,100	<a href="#">04401-91-20</a>	1,890	10.00
4	4.00	4 1/4	1 1/2	Roller	<a href="#">04401-61-24</a>	1,280	<a href="#">04401-60-24</a>	1,600	<a href="#">04401-63-24</a>	1,920	<a href="#">04401-90-24</a>	2,100	<a href="#">04401-91-24</a>	1,890	10.00
4	4.00	4 1/2	1	Tapered	<a href="#">04409-61-16</a>	1,280	<a href="#">04409-60-16</a>	1,600	<a href="#">04409-63-16</a>	1,920	<a href="#">04409-90-16</a>	2,100	<a href="#">04409-91-16</a>	1,890	10.00
4	4.00	4 1/2	1 1/4	Tapered	<a href="#">04409-61-20</a>	1,280	<a href="#">04409-60-20</a>	1,600	<a href="#">04409-63-20</a>	1,920	<a href="#">04409-90-20</a>	2,100	<a href="#">04409-91-20</a>	1,890	10.00
5	2.00	2 3/16	1 3/16		<a href="#">05200-61-19</a>	840	<a href="#">05200-60-19</a>	1,050	<a href="#">05200-63-19</a>	1,260	<a href="#">05200-90-19</a>	1,300	<a href="#">05200-91-19</a>	1,170	3.00
5	2.00	2 3/16	3/4	Roller	<a href="#">05201-61-12</a>	840	<a href="#">05201-60-12</a>	1,050	<a href="#">05201-63-12</a>	1,260	<a href="#">05201-90-12</a>	1,300	<a href="#">05201-91-12</a>	1,170	3.00
5	2.00	2 7/16	1/2	Tapered	<a href="#">05209-61-08</a>	840	<a href="#">05209-60-08</a>	1,050	<a href="#">05209-63-08</a>	1,260	<a href="#">05209-90-08</a>	1,300	<a href="#">05209-91-08</a>	1,170	3.00
5	2.50	3 1/4	1 15/16		<a href="#">05250-61-31</a>	1,060	<a href="#">05250-60-31</a>	1,325	<a href="#">05250-63-31</a>	1,590	<a href="#">05250-90-31</a>	1,600	<a href="#">05250-91-31</a>	1,440	7.00
5	2.50	3 1/4	1	Roller	<a href="#">05251-61-16</a>	1,060	<a href="#">05251-60-16</a>	1,325	<a href="#">05251-63-16</a>	1,590	<a href="#">05251-90-16</a>	1,600	<a href="#">05251-91-16</a>	1,440	7.00
5	2.50	3 1/4	1 1/4	Roller	<a href="#">05251-61-20</a>	1,060	<a href="#">05251-60-20</a>	1,325	<a href="#">05251-63-20</a>	1,590	<a href="#">05251-90-20</a>	1,600	<a href="#">05251-91-20</a>	1,440	7.00
5	2.50	3 1/2	3/4	Tapered	<a href="#">05259-61-12</a>	1,060	<a href="#">05259-60-12</a>	1,325	<a href="#">05259-63-12</a>	1,590	<a href="#">05259-90-12</a>	1,600	<a href="#">05259-91-12</a>	1,440	7.00
5	2.50	3 1/2	1	Tapered	<a href="#">05259-61-16</a>	1,060	<a href="#">05259-60-16</a>	1,325	<a href="#">05259-63-16</a>	1,590	<a href="#">05259-90-16</a>	1,600	<a href="#">05259-91-16</a>	1,440	7.00
5	3.00	3 1/4	1 15/16		<a href="#">05300-61-31</a>	1,225	<a href="#">05300-60-31</a>	1,530	<a href="#">05300-63-31</a>	1,836	<a href="#">05300-90-31</a>	1,950	<a href="#">05300-91-31</a>	1,755	9.00
5	3.00	3 1/4	1	Roller	<a href="#">05301-61-16</a>	1,225	<a href="#">05301-60-20</a>	1,530	<a href="#">05301-63-20</a>	1,836	<a href="#">05301-90-16</a>	1,950	<a href="#">05301-91-16</a>	1,755	9.00
5	3.00	3 1/4	1 1/4	Roller	<a href="#">05301-61-20</a>	1,225	<a href="#">05301-60-20</a>	1,530	<a href="#">05301-63-20</a>	1,836	<a href="#">05301-90-20</a>	1,950	<a href="#">05301-91-20</a>	1,755	9.00
5	3.00	3 1/4	3/4	Tapered	<a href="#">05309-61-12</a>	1,225	<a href="#">05309-60-12</a>	1,530	<a href="#">05309-60-12</a>	1,836	<a href="#">05309-90-12</a>	1,950	<a href="#">05309-91-12</a>	1,755	9.00
5	3.00	3 1/4	1	Tapered	<a href="#">05309-61-16</a>	1,225	<a href="#">05309-60-16</a>	1,530	<a href="#">05309-60-16</a>	1,836	<a href="#">05309-90-16</a>	1,950	<a href="#">05309-91-16</a>	1,755	9.00

# STANDARD PROFILE POLY WHEELS 5,040 LBS



STANDARD PROFILE POLY WHEELS

WHEELS

WHEEL					PART NUMBER		PART NUMBER		PART NUMBER		PART NUMBER		PART NUMBER		
Dia.	Width	Hub Length	Bore	Bearing	T/R-85	Cap.	Std. Poly	Cap.	Hard Poly	Cap.	HPPT	Cap.	TR-95	Cap.	Wt.
6	2.00	2 3/16	1 1/5		06200-61-19	960	06200-60-19	1,200	06200-63-19	1,440	06200-90-19	1,525	06200-91-19	1,400	4.50
6	2.00	2 3/16	3/4	Roller	06201-61-12	960	06201-60-12	1,200	06201-63-12	1,440	06201-90-12	1,525	06201-91-12	1,400	4.50
6	2.00	2 7/16	1/2	Tapered	06209-61-08	960	06209-60-08	1,200	06209-63-08	1,440	06209-90-08	1,525	06209-91-08	1,400	4.50
6	2.00	2 7/16	3/4	Tapered	06209-61-12	960	06209-60-12	1,200	06209-63-12	1,440	06209-90-12	1,525	06209-91-12	1,400	4.50
6	2.50	3 1/4	1 15/16		06250-61-31	1,300	06250-60-31	1,625	06250-63-31	1,950	06250-90-31	1,925	06250-91-31	1,800	6.50
6	2.50	3 1/4	1	Roller	06251-61-16	1,300	06251-60-16	1,625	06251-63-16	1,950	06251-90-16	1,925	06251-91-16	1,800	6.50
6	2.50	3 1/4	1 1/4	Roller	06251-61-20	1,300	06251-60-20	1,625	06251-63-20	1,950	06251-90-20	1,925	06251-91-20	1,800	6.50
6	2.50	3 1/2	3/4	Tapered	06259-61-12	1,300	06259-60-12	1,625	06259-63-12	1,950	06259-90-12	1,925	06259-91-12	1,800	6.50
6	2.50	3 1/2	1	Tapered	06259-61-16	1,300	06259-60-16	1,625	06259-63-16	1,950	06259-90-16	1,925	06259-91-16	1,800	6.50
6	3.00	3 1/4	1 15/16		06300-61-31	1,640	06300-60-31	2,050	06300-63-31	2,460	06300-90-31	2,300	06300-91-31	2,070	9.50
6	3.00	3 1/4	1	Roller	06301-61-16	1,640	06301-60-16	2,050	06301-63-16	2,460	06301-90-16	2,300	06301-91-16	2,070	9.50
6	3.00	3 1/4	1 1/4	Roller	06301-61-20	1,640	06301-60-20	2,050	06301-63-20	2,460	06301-90-20	2,300	06301-91-20	2,070	9.50
6	3.00	3 1/2	3/4	Tapered	06309-61-12	1,640	06309-60-12	2,050	06309-63-12	2,460	06309-90-12	2,300	06309-91-12	2,070	9.50
6	3.00	3 1/2	1	Tapered	06309-61-16	1,640	06309-60-16	2,050	06309-63-16	2,460	06309-90-16	2,300	06309-91-16	2,070	9.50
6	3.00	3 1/2	1 1/4	Tapered	06309-61-20	1,640	06309-60-20	2,050	06309-63-20	2,460	06309-90-20	2,300	06309-91-20	2,070	9.50
8	2.00	2 3/16	1 3/16		08200-61-19	1,240	08200-60-19	1,550	08200-63-19	1,860	08200-90-19	2,050	08200-91-19	1,800	8.00
8	2.00	2 3/16	3/4	Roller	08201-61-12	1,240	08201-60-12	1,550	08201-63-12	1,860	08201-90-12	2,050	08201-91-12	1,800	8.00
8	2.00	2 7/16	3/4	Tapered	08209-61-12	1,240	08209-60-12	1,550	08209-63-12	1,860	08209-90-12	2,050	08209-91-12	1,800	8.00
8	2.50	3 1/4	1 15/16		08250-61-31	1,640	08250-60-31	2,050	08250-63-31	2,460	08250-90-31	2,575	08250-91-31	2,300	9.50
8	2.50	3 1/4	1	Roller	08251-61-16	1,640	08251-60-16	2,050	08251-63-16	2,460	08251-90-16	2,575	08251-91-16	2,300	9.50
8	2.50	3 1/4	1 1/4	Roller	08251-61-20	1,640	08251-60-20	2,050	08251-63-20	2,460	08251-90-20	2,575	08251-91-20	2,300	9.50
8	2.50	3 1/2	3/4	Tapered	08259-61-12	1,640	08259-60-12	2,050	08259-63-12	2,460	08259-90-12	2,575	08259-91-12	2,300	9.50
8	2.50	3 1/2	1	Tapered	08259-61-16	1,640	08259-60-16	2,050	08259-63-16	2,460	08259-90-16	2,575	08259-91-16	2,300	9.50
8	3.00	3 1/4	1 15/16		08300-61-31	2,000	08300-60-31	2,500	08300-63-31	3,000	08300-90-31	3,100	08300-91-31	2,800	12.50
8	3.00	3 1/4	1	Roller	08301-61-16	2,000	08301-60-16	2,500	08301-63-16	3,000	08301-90-16	3,100	08301-91-16	2,800	12.50
8	3.00	3 1/4	1 1/4	Roller	08301-61-20	2,000	08301-60-20	2,500	08301-63-20	3,000	08301-90-20	3,100	08301-91-20	2,800	12.50
8	3.00	3 1/2	3/4	Tapered	08309-61-12	2,000	08309-60-12	2,500	08309-63-12	3,000	08309-90-12	3,100	08309-91-12	2,800	12.50
8	3.00	3 1/2	1	Tapered	08309-61-16	2,000	08309-60-16	2,500	08309-63-16	3,000	08309-90-16	3,100	08309-91-16	2,800	12.50
8	3.00	3 1/2	1 1/4	Tapered	08309-61-20	2,000	08309-60-20	2,500	08309-63-20	3,000	08309-90-20	3,100	08309-91-20	2,800	12.50
8	4.00	4 1/4	2 7/16		08400-61-39	3,040	08400-60-39	3,800	08400-63-39	4,560	08400-90-39	4,100	08400-91-39	3,700	20.00
8	4.00	4 1/4	1 1/4	Roller	08401-61-20	3,040	08401-60-20	3,800	08401-63-20	4,560	08401-90-20	4,100	08401-91-20	3,700	20.00
8	4.00	4 1/4	1 1/2	Roller	08401-61-24	3,040	08401-60-24	3,800	08401-63-24	4,560	08401-90-24	4,100	08401-91-24	3,700	20.00
8	4.00	4 1/2	1	Tapered	08409-61-16	3,040	08409-60-16	3,800	08409-63-16	4,560	08409-90-16	4,100	08409-91-19	3,700	20.00
8	4.00	4 1/2	1 1/4	Tapered	08409-61-20	3,040	08409-60-20	3,800	08409-63-20	4,560	08409-90-20	4,100	08409-91-20	3,700	20.00





# STANDARD PROFILE POLY WHEELS 5,040 LBS

WHEEL					PART NUMBER		PART NUMBER		PART NUMBER		PART NUMBER		PART NUMBER		
Dia.	Width	Hub Length	Bore	Bearing	T/R-85	Cap.	Std. Poly	Cap.	Hard Poly	Cap.	HPPT	Cap.	TR-95	Cap.	Wt.
10	3.00	3 1/4	1 8/9		<a href="#">10300-61-31</a>	2,400	<a href="#">10300-60-31</a>	3,000	<a href="#">10300-63-31</a>	3,600	<a href="#">10300-90-31</a>	3,450	<a href="#">10300-91-31</a>	3,100	16.00
10	3.00	3 1/4	1	Roller	<a href="#">10301-61-16</a>	2,400	<a href="#">10301-60-16</a>	3,000	<a href="#">10301-63-16</a>	3,600	<a href="#">10301-90-16</a>	3,450	<a href="#">10301-91-16</a>	3,100	16.00
10	3.00	3 1/4	1 1/4	Roller	<a href="#">10301-61-20</a>	2,400	<a href="#">10301-60-20</a>	3,000	<a href="#">10301-63-20</a>	3,600	<a href="#">10301-90-20</a>	3,450	<a href="#">10301-91-20</a>	3,100	16.00
10	3.00	3 1/2	3/4	Tapered	<a href="#">10309-61-12</a>	2,400	<a href="#">10309-60-12</a>	3,000	<a href="#">10309-63-12</a>	3,600	<a href="#">10309-90-12</a>	3,450	<a href="#">10309-91-12</a>	3,100	16.00
10	3.00	3 1/2	1	Tapered	<a href="#">10309-61-16</a>	2,400	<a href="#">10309-60-16</a>	3,000	<a href="#">10309-63-16</a>	3,600	<a href="#">10309-90-16</a>	3,450	<a href="#">10309-91-16</a>	3,100	16.00
10	3.00	3 1/2	1 1/4	Tapered	<a href="#">10309-61-20</a>	2,400	<a href="#">10309-60-20</a>	3,000	<a href="#">10309-63-20</a>	3,600	<a href="#">10309-90-20</a>	3,450	<a href="#">10309-91-20</a>	3,100	16.00
10	4.00	4 1/4	2 7/16		<a href="#">10400-61-39</a>	3,360	<a href="#">10400-60-39</a>	4,200	<a href="#">10400-63-39</a>	5,040	<a href="#">10400-90-39</a>	4,600	<a href="#">10400-91-39</a>	4,140	23.00
10	4.00	4 1/4	1 1/4	Roller	<a href="#">10401-61-20</a>	3,360	<a href="#">10401-60-20</a>	4,200	<a href="#">10401-63-20</a>	5,040	<a href="#">10401-90-20</a>	4,600	<a href="#">10401-91-20</a>	4,140	23.00
10	4.00	4 1/4	1 1/2	Roller	<a href="#">10401-61-24</a>	3,360	<a href="#">10401-60-24</a>	4,200	<a href="#">10401-63-24</a>	5,040	<a href="#">10401-90-24</a>	4,600	<a href="#">10401-91-24</a>	4,140	23.00
10	4.00	4 1/2	1	Tapered	<a href="#">10409-61-16</a>	3,360	<a href="#">10409-60-16</a>	4,200	<a href="#">10409-63-16</a>	5,040	<a href="#">10409-90-16</a>	4,600	<a href="#">10409-91-16</a>	4,140	23.00
10	4.00	4 1/2	1 1/4	Tapered	<a href="#">10409-61-20</a>	3,360	<a href="#">10409-60-20</a>	4,200	<a href="#">10409-63-20</a>	5,040	<a href="#">10409-90-20</a>	4,600	<a href="#">10409-91-20</a>	4,140	23.00
12	3.00	3 1/4	1 15/16		<a href="#">12300-61-31</a>	2,800	<a href="#">12300-60-31</a>	3,500	<a href="#">12300-63-31</a>	4,200	<a href="#">12300-90-31</a>	3,800	<a href="#">12300-91-31</a>	3,400	21.00
12	3.00	3 1/4	1	Roller	<a href="#">12301-61-16</a>	2,800	<a href="#">12301-60-16</a>	3,500	<a href="#">12301-63-16</a>	4,200	<a href="#">12301-90-16</a>	3,800	<a href="#">12301-91-16</a>	3,400	21.00
12	3.00	3 1/4	1 1/4	Roller	<a href="#">12301-61-20</a>	2,800	<a href="#">12301-60-20</a>	3,500	<a href="#">12301-63-20</a>	4,200	<a href="#">12301-90-20</a>	3,800	<a href="#">12301-91-20</a>	3,400	21.00
12	3.00	3 1/2	3/4	Tapered	<a href="#">12309-61-12</a>	2,800	<a href="#">12309-60-12</a>	3,500	<a href="#">12309-63-12</a>	4,200	<a href="#">12309-90-12</a>	3,800	<a href="#">12309-91-12</a>	3,400	21.00
12	3.00	3 1/2	1	Tapered	<a href="#">12309-61-16</a>	2,800	<a href="#">12309-60-16</a>	3,500	<a href="#">12309-63-16</a>	4,200	<a href="#">12309-90-16</a>	3,800	<a href="#">12309-91-16</a>	3,400	21.00
12	3.00	3 1/2	1 1/4	Tapered	<a href="#">12309-61-20</a>	2,800	<a href="#">12309-60-20</a>	3,500	<a href="#">12309-63-20</a>	4,200	<a href="#">12309-90-20</a>	3,800	<a href="#">12309-91-20</a>	3,400	21.00

(ITEM SHOWN: 08300-66-16-KWC)



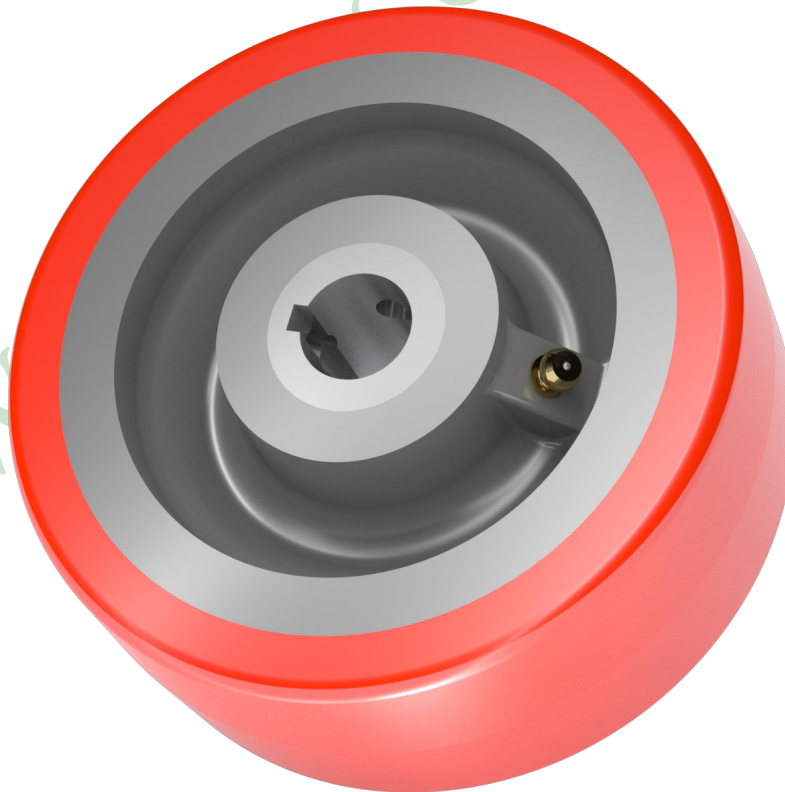
# STANDARD PROFILE POLY WHEELS 5,040 LBS



STANDARD PROFILE POLY WHEELS

WHEEL					PART NUMBER		PART NUMBER		PART NUMBER		PART NUMBER		
Dia.	Width	Hub Length	Bore	Ball Bearing	T/R-85	Cap.	Std. Poly	Cap.	Hard Poly	Cap.	HPPT	Cap.	Wt.
5	2.00	2 7/16	1/2	Precision	<a href="#">05202-61-08</a>	840	<a href="#">05202-60-08</a>	1,050			<a href="#">05202-90-08</a>	1,300	3.00
6	2.00	2 7/16	1/2	Precision	<a href="#">06202-61-08</a>	960	<a href="#">06202-60-08</a>	1,200	<a href="#">06202-63-08</a>	1,440	<a href="#">06202-90-08</a>	1,525	4.50
6	3.00	3 1/2	3/4	Precision	<a href="#">06302-61-12</a>	1,640	<a href="#">06302-60-12</a>	2,050	<a href="#">06302-63-12</a>	2,460	<a href="#">06302-90-12</a>	2,300	9.50
8	2.00	2 7/16	1/2	Precision	<a href="#">08202-61-08</a>	1,240	<a href="#">08202-60-08</a>	1,550	<a href="#">08202-63-08</a>	1,860	<a href="#">08202-90-08</a>	2,050	8.00
8	2.50	3 1/2	3/4	Precision	<a href="#">08252-61-12</a>	1,640	<a href="#">08252-60-12</a>	2,050			<a href="#">08252-90-12</a>	2,575	9.50
8	3.00	3 1/2	3/4	Precision	<a href="#">08302-61-12</a>	2,000	<a href="#">08302-60-12</a>	2,500	<a href="#">08302-63-12</a>	3,000	<a href="#">08302-90-12</a>	3,100	12.50
8	3.00	3 1/2	1	Precision	<a href="#">08302-61-16</a>	2,000	<a href="#">08302-60-16</a>	2,500	<a href="#">08302-63-16</a>	3,000	<a href="#">08302-90-16</a>	3,100	12.50
10	3.00	3 1/2	3/4	Precision	<a href="#">10302-61-12</a>	2,400	<a href="#">10302-60-12</a>	3,000	<a href="#">10302-63-12</a>	3,600	<a href="#">10302-90-12</a>	3,450	16.00
10	3.00	3 1/2	1	Precision	<a href="#">10302-61-16</a>	2,400	<a href="#">10302-60-16</a>	3,000	<a href="#">10302-63-16</a>	3,600	<a href="#">10302-90-16</a>	3,450	16.00
12	1.75	3 1/2	3/4	Precision	<a href="#">12172-61-12</a>	1,500	<a href="#">12172-60-12</a>	1,700			<a href="#">12172-90-12</a>	1,900	18.00
12	3.00	3 1/2	3/4	Precision	<a href="#">12302-61-12</a>	2,800	<a href="#">12302-60-12</a>	3,500	<a href="#">12302-63-12</a>	3,540	<a href="#">12302-90-12</a>	3,540	21.00
12	3.00	3 1/2	1	Precision	<a href="#">12302-61-16</a>	2,800	<a href="#">12302-60-16</a>	3,500	<a href="#">12302-63-16</a>	3,720	<a href="#">12302-90-16</a>	3,720	21.00
12	3.00	3 1/2	1 1/4	Precision	<a href="#">12302-61-20</a>	2,800	<a href="#">12302-60-20</a>	3,500			<a href="#">12302-90-16</a>	3,800	21.00

(PRODUCTO DEMOSTRADO: 08300-66-16-KWC)



WHEELS



# HIGH PROFILE POLY WHEELS 11,250 LBS

WHEEL					PART NUMBER		PART NUMBER		PART NUMBER		PART NUMBER		PART NUMBER		
Dia.	Width	Hub Length	Bore	Bearing	T/R-85	Cap.	Std. Poly	Cap.	Hard Poly	Cap.	HPPT	Cap.	TR-95	Cap.	Wt.
4	2.00	2 7/16	1/2	Precision	<a href="#">04202-66-08</a>	600	<a href="#">04202-65-08</a>	750	<a href="#">04202-67-08</a>	1,200	<a href="#">04202-95-08</a>	1,400	<a href="#">04202-96-08</a>	1,260	3.00
6	3.00	3 1/4	1 15/16		<a href="#">06300-66-31</a>	2,050	<a href="#">06300-65-31</a>	2,450	<a href="#">06300-67-31</a>	2,950	<a href="#">06300-95-31</a>	3,600	<a href="#">06300-96-31</a>	3,240	9.50
6	3.00	3 1/4	1	Roller	<a href="#">06301-66-16</a>	2,050	<a href="#">06301-65-16</a>	2,450	<a href="#">06301-67-16</a>	2,950	<a href="#">06301-95-16</a>	3,600	<a href="#">06301-96-16</a>	3,240	9.50
6	3.00	3 1/4	1 1/4	Roller	<a href="#">06301-66-20</a>	2,050	<a href="#">06301-65-20</a>	2,450	<a href="#">06301-67-20</a>	2,950	<a href="#">06301-95-20</a>	3,600	<a href="#">06301-96-20</a>	3,240	9.50
6	3.00	3 1/2	3/4	Tapered	<a href="#">06309-66-12</a>	2,050	<a href="#">06309-65-12</a>	2,450	<a href="#">06309-67-12</a>	2,950	<a href="#">06309-95-12</a>	3,600	<a href="#">06309-96-12</a>	3,240	9.50
6	4.00	3 1/2	1	Tapered	<a href="#">06309-66-16</a>	2,050	<a href="#">06309-65-16</a>	2,450	<a href="#">06309-67-16</a>	2,950	<a href="#">06309-95-16</a>	3,600	<a href="#">06309-96-16</a>	3,240	9.50
6	4.00	4 1/4	2 7/16		<a href="#">06400-66-39</a>	2,400	<a href="#">06400-65-39</a>	3,000	<a href="#">06400-67-39</a>	3,600	<a href="#">06400-95-39</a>	4,600	<a href="#">06400-96-39</a>	4,140	17.00
6	4.00	4 1/4	1 1/4	Roller	<a href="#">06401-66-20</a>	2,400	<a href="#">06401-65-20</a>	3,000	<a href="#">06401-67-20</a>	3,600	<a href="#">06401-95-20</a>	4,600	<a href="#">06401-96-20</a>	4,140	17.00
6	4.00	4 1/4	1 1/2	Roller	<a href="#">06401-66-24</a>	2,400	<a href="#">06401-65-24</a>	3,000	<a href="#">06401-67-24</a>	3,600	<a href="#">06401-95-24</a>	4,600	<a href="#">06401-96-24</a>	4,140	17.00
6	4.00	4 1/2	1	Tapered	<a href="#">06409-66-16</a>	2,400	<a href="#">06409-65-16</a>	3,000	<a href="#">06409-67-16</a>	3,600	<a href="#">06409-95-16</a>	4,600	<a href="#">06409-96-16</a>	4,140	17.00
6	4.00	4 1/2	1 1/4	Tapered	<a href="#">06409-66-20</a>	2,400	<a href="#">06409-65-20</a>	3,000	<a href="#">06409-67-20</a>	3,600	<a href="#">06409-95-20</a>	4,600	<a href="#">06409-96-20</a>	4,140	17.00
6	5.00	5 1/4	2 7/16		<a href="#">06500-66-39</a>	2,960	<a href="#">06500-65-39</a>	3,700	<a href="#">06500-67-39</a>	4,400	<a href="#">06500-95-39</a>	5,800	<a href="#">06500-96-39</a>	5,200	20.00
6	5.00	5 1/4	1 1/4	Roller	<a href="#">06501-66-20</a>	2,960	<a href="#">06501-65-20</a>	3,700	<a href="#">06501-67-20</a>	4,400	<a href="#">06501-95-20</a>	5,800	<a href="#">06501-96-20</a>	5,200	20.00
6	5.00	5 1/4	1 1/2	Roller	<a href="#">06501-66-24</a>	2,960	<a href="#">06501-65-24</a>	3,700	<a href="#">06501-67-24</a>	4,400	<a href="#">06501-95-24</a>	5,800	<a href="#">06501-96-24</a>	5,200	20.00
6	5.00	5 1/2	1	Tapered	<a href="#">06509-66-16</a>	2,960	<a href="#">06509-65-16</a>	3,700	<a href="#">06509-67-16</a>	4,400	<a href="#">06509-95-16</a>	5,800	<a href="#">06509-96-16</a>	5,200	20.00
6	5.00	5 1/2	1 1/4	Tapered	<a href="#">06509-66-20</a>	2,960	<a href="#">06509-65-20</a>	3,700	<a href="#">06509-67-20</a>	4,400	<a href="#">06509-95-20</a>	5,800	<a href="#">06509-96-20</a>	5,200	20.00
8	3.00	3 1/4	1 15/16		<a href="#">08300-66-31</a>	2,480	<a href="#">08300-65-31</a>	3,100	<a href="#">08300-67-31</a>	3,500	<a href="#">08300-95-31</a>	4,300	<a href="#">08300-96-31</a>	3,900	17.00
8	3.00	3 1/4	1	Roller	<a href="#">08301-66-16</a>	2,480	<a href="#">08301-65-16</a>	3,100	<a href="#">08301-67-16</a>	3,500	<a href="#">08301-95-16</a>	4,300	<a href="#">08301-96-16</a>	3,900	17.00
8	3.00	3 1/4	1 1/4	Roller	<a href="#">08301-66-20</a>	2,480	<a href="#">08301-65-20</a>	3,100	<a href="#">08301-67-20</a>	3,500	<a href="#">08301-95-20</a>	4,300	<a href="#">08301-96-20</a>	3,900	17.00
8	3.00	3 1/2	3/4	Tapered	<a href="#">08309-66-12</a>	2,480	<a href="#">08309-65-12</a>	3,100	<a href="#">08309-67-12</a>	3,500	<a href="#">08309-95-12</a>	4,300	<a href="#">08309-96-12</a>	3,900	17.00
8	3.00	3 1/2	1	Tapered	<a href="#">08309-66-16</a>	2,480	<a href="#">08309-65-16</a>	3,100	<a href="#">08309-67-16</a>	3,500	<a href="#">08309-95-16</a>	4,300	<a href="#">08309-96-16</a>	3,900	17.00
10	3.00	3 1/4	2 7/16		<a href="#">10300-69-39</a>	2,960	<a href="#">10300-68-39</a>	3,700	<a href="#">10300-67-39</a>	4,440	<a href="#">10300-98-39</a>	4,800	<a href="#">10300-96-39</a>	4,300	24.00
10	3.00	3 1/4	1 15/16		<a href="#">10300-66-31</a>	2,960	<a href="#">10300-65-31</a>	3,700	<a href="#">10300-67-31</a>	4,400	<a href="#">10300-95-31</a>	4,800	<a href="#">10300-96-31</a>	4,300	24.00
10	3.00	3 1/4	1	Roller	<a href="#">10301-66-16</a>	2,960	<a href="#">10301-65-16</a>	3,700	<a href="#">10301-67-16</a>	4,400	<a href="#">10301-95-16</a>	4,800	<a href="#">10301-96-16</a>	4,300	24.00
10	3.00	3 1/4	1 1/4	Roller	<a href="#">10301-66-20</a>	2,960	<a href="#">10301-65-20</a>	3,700	<a href="#">10301-67-20</a>	4,400	<a href="#">10301-95-20</a>	4,800	<a href="#">10301-96-20</a>	4,300	24.00
10	3.00	3 1/4	1 1/2	Roller	<a href="#">10301-69-24</a>	2,960	<a href="#">10301-68-24</a>	3,700	<a href="#">10301-67-24</a>	4,400	<a href="#">10301-98-24</a>	4,800	<a href="#">10301-96-24</a>	4,300	24.00
10	3.00	3 1/2	3/4	Tapered	<a href="#">10309-66-12</a>	2,960	<a href="#">10309-65-12</a>	3,700	<a href="#">10309-67-12</a>	4,440	<a href="#">10309-95-12</a>	4,800	<a href="#">10309-96-12</a>	4,300	24.00
10	3.00	3 1/2	1	Tapered	<a href="#">10309-66-16</a>	2,960	<a href="#">10309-65-16</a>	3,700	<a href="#">10309-67-16</a>	4,440	<a href="#">10309-95-16</a>	4,800	<a href="#">10309-96-16</a>	4,300	24.00
10	3.00	3 1/2	1 1/4	Tapered	<a href="#">10309-69-20</a>	2,960	<a href="#">10309-68-20</a>	3,700	<a href="#">10309-67-20</a>	4,440	<a href="#">10309-98-20</a>	4,800	<a href="#">10309-96-20</a>	4,300	24.00
10	4.00	4 1/4	2 7/16		<a href="#">10400-66-39</a>	4,000	<a href="#">10400-65-39</a>	5,000	<a href="#">10400-67-39</a>	6,000	<a href="#">10400-95-39</a>	6,500	<a href="#">10400-96-39</a>	5,850	33.00
10	4.00	4 1/4	1 1/4	Roller	<a href="#">10401-66-20</a>	4,000	<a href="#">10401-65-20</a>	5,000	<a href="#">10401-67-20</a>	6,000	<a href="#">10401-95-20</a>	6,500	<a href="#">10401-96-20</a>	5,850	33.00
10	4.00	4 1/4	1 1/2	Roller	<a href="#">10401-66-24</a>	4,000	<a href="#">10401-65-24</a>	5,000	<a href="#">10401-67-24</a>	6,000	<a href="#">10401-95-24</a>	6,500	<a href="#">10401-96-24</a>	5,850	33.00
10	4.00	4 1/2	1	Tapered	<a href="#">10409-66-16</a>	4,000	<a href="#">10409-65-16</a>	5,000	<a href="#">10409-67-16</a>	6,000	<a href="#">10409-95-16</a>	6,500	<a href="#">10409-96-16</a>	5,850	33.00
10	4.00	4 1/2	1 1/4	Tapered	<a href="#">10409-66-20</a>	4,000	<a href="#">10409-65-20</a>	5,000	<a href="#">10409-67-20</a>	6,000	<a href="#">10409-95-20</a>	6,500	<a href="#">10409-96-20</a>	5,850	33.00
10	5.00	5 1/4	2 7/16		<a href="#">10500-66-39</a>	4,800	<a href="#">10500-65-39</a>	6,000	<a href="#">10500-67-39</a>	7,200	<a href="#">10500-95-39</a>	7,900	<a href="#">10500-96-39</a>	7,100	45.00
10	5.00	5 1/4	1 1/4	Roller	<a href="#">10501-66-20</a>	4,800	<a href="#">10501-65-20</a>	6,000	<a href="#">10501-67-20</a>	7,200	<a href="#">10501-95-20</a>	7,900	<a href="#">10501-96-20</a>	7,100	45.00

# HIGH PROFILE POLY WHEELS 11,250 LBS



HIGH PROFILE POLY WHEELS

WHEELS

WHEEL					PART NUMBER		PART NUMBER		PART NUMBER		PART NUMBER		PART NUMBER		
Dia.	Width	Hub Length	Bore	Bearing	T/R-85	Cap.	Std. Poly	Cap.	Hard Poly	Cap.	HPPT	Cap.	TR-95	Cap.	Wt.
12	3.00	3 1/4	2 7/16		<a href="#">12300-66-39</a>	3,080	<a href="#">12300-65-39</a>	3,850	<a href="#">12300-67-39</a>	4,620	<a href="#">12300-95-39</a>	5,250	<a href="#">12300-96-39</a>	4,725	24.00
12	3.00	3 1/4	1 1/4	Roller	<a href="#">12301-66-20</a>	3,080	<a href="#">12301-65-20</a>	3,850	<a href="#">12301-67-20</a>	4,620	<a href="#">12301-95-20</a>	5,250	<a href="#">12301-96-20</a>	4,725	24.00
12	3.00	3 1/4	1 1/2	Roller	<a href="#">12301-66-24</a>	3,080	<a href="#">12301-65-24</a>	3,850	<a href="#">12301-67-24</a>	4,620	<a href="#">12301-95-24</a>	5,250	<a href="#">12301-96-24</a>	4,725	24.00
12	3.00	3 1/2	1	Tapered	<a href="#">12309-66-16</a>	3,080	<a href="#">12309-65-16</a>	3,850	<a href="#">12309-67-16</a>	4,620	<a href="#">12309-95-16</a>	5,250	<a href="#">12309-96-16</a>	4,725	24.00
12	3.00	3 1/2	1 1/4	Tapered	<a href="#">12309-66-20</a>	3,080	<a href="#">12309-65-20</a>	3,850	<a href="#">12309-67-20</a>	4,620	<a href="#">12309-95-20</a>	5,250	<a href="#">12309-96-20</a>	4,725	24.00
12	4.00	4 1/4	2 7/16		<a href="#">12400-66-39</a>	4,400	<a href="#">12400-65-39</a>	5,500	<a href="#">12400-67-39</a>	6,600	<a href="#">12400-95-39</a>	7,000	<a href="#">12400-96-39</a>	6,300	30.00
12	4.00	4 1/4	1 1/4	Roller	<a href="#">12401-66-20</a>	4,400	<a href="#">12401-65-20</a>	5,500	<a href="#">12401-67-20</a>	6,600	<a href="#">12401-95-20</a>	7,000	<a href="#">12401-96-20</a>	6,300	30.00
12	4.00	4 1/4	1 1/2	Roller	<a href="#">12401-66-24</a>	4,400	<a href="#">12401-65-24</a>	5,500	<a href="#">12401-67-24</a>	6,600	<a href="#">12401-95-24</a>	7,000	<a href="#">12401-96-24</a>	6,300	30.00
12	4.00	4 1/2	1	Tapered	<a href="#">12409-66-16</a>	4,400	<a href="#">12409-65-16</a>	5,500	<a href="#">12409-67-16</a>	6,600	<a href="#">12409-95-16</a>	7,000	<a href="#">12409-96-16</a>	6,300	30.00
12	4.00	4 1/2	1 1/4	Tapered	<a href="#">12409-66-20</a>	4,400	<a href="#">12409-65-20</a>	5,500	<a href="#">12409-67-20</a>	6,600	<a href="#">12409-95-20</a>	7,000	<a href="#">12409-96-20</a>	6,300	30.00
12	5.00	5 1/4	2 7/16		<a href="#">12500-66-39</a>	5,200	<a href="#">12500-65-39</a>	6,500	<a href="#">12500-67-39</a>	7,800	<a href="#">12500-95-39</a>	8,400	<a href="#">12500-96-39</a>	7,560	45.00
12	5.00	5 1/4	1 1/4	Roller	<a href="#">12501-66-20</a>	5,200	<a href="#">12501-65-20</a>	6,500	<a href="#">12501-67-20</a>	7,800	<a href="#">12501-95-20</a>	8,400	<a href="#">12501-96-20</a>	7,560	45.00
12	5.00	5 1/4	1 1/2	Roller	<a href="#">12501-66-24</a>	5,200	<a href="#">12501-65-24</a>	6,500	<a href="#">12501-67-24</a>	7,800	<a href="#">12501-95-24</a>	8,400	<a href="#">12501-96-24</a>	7,560	45.00
12	5.00	5 1/2	1	Tapered	<a href="#">12509-66-16</a>	5,200	<a href="#">12509-65-16</a>	6,500	<a href="#">12509-67-16</a>	7,800	<a href="#">12509-95-16</a>	8,400	<a href="#">12509-96-16</a>	7,560	45.00
12	5.00	5 1/2	1 1/4	Tapered	<a href="#">12509-66-20</a>	5,200	<a href="#">12509-65-20</a>	6,500	<a href="#">12509-67-20</a>	7,800	<a href="#">12509-95-20</a>	8,400	<a href="#">12509-96-20</a>	7,560	45.00
16	4.00	4 1/4	2 7/16		<a href="#">16400-66-39</a>	4,825	<a href="#">16400-65-39</a>	6,000	<a href="#">16400-67-39</a>	8,000	<a href="#">16400-95-39</a>	8,125	<a href="#">16400-96-39</a>	7,300	40.00
16	4.00	4 1/4	1 1/4	Roller	<a href="#">16401-66-20</a>	4,825	<a href="#">16401-65-20</a>	6,000	<a href="#">16401-67-20</a>	8,000	<a href="#">16401-95-20</a>	8,125	<a href="#">16401-96-20</a>	7,300	40.00
16	4.00	4 1/4	1 1/2	Roller	<a href="#">16401-66-24</a>	4,825	<a href="#">16401-65-24</a>	6,000	<a href="#">16401-67-24</a>	8,000	<a href="#">16401-95-24</a>	8,125	<a href="#">16401-96-24</a>	7,300	40.00
16	4.00	4 1/2	1	Tapered	<a href="#">16409-66-16</a>	4,825	<a href="#">16409-65-16</a>	6,000	<a href="#">16409-67-16</a>	8,000	<a href="#">16409-95-16</a>	8,125	<a href="#">16409-96-16</a>	7,300	40.00
16	4.00	4 1/2	1 1/4	Tapered	<a href="#">16409-66-20</a>	4,825	<a href="#">16409-65-20</a>	6,000	<a href="#">16409-67-20</a>	8,000	<a href="#">16409-95-20</a>	8,125	<a href="#">16409-96-20</a>	7,300	40.00
16	5.00	5 1/4	2 7/16		<a href="#">16500-66-39</a>	6,000	<a href="#">16500-65-39</a>	8,000	<a href="#">16500-67-39</a>	9,000	<a href="#">16500-95-39</a>	9,125	<a href="#">16500-96-39</a>	8,200	72.00
16	5.00	5 1/4	1 1/4	Roller	<a href="#">16501-66-20</a>	6,000	<a href="#">16501-65-20</a>	8,000	<a href="#">16501-67-20</a>	9,000	<a href="#">16501-95-20</a>	9,125	<a href="#">16501-96-20</a>	8,200	72.00
16	5.00	5 1/4	1 1/2	Roller	<a href="#">16501-66-24</a>	6,000	<a href="#">16501-65-24</a>	8,000	<a href="#">16501-67-24</a>	9,000	<a href="#">16501-95-24</a>	9,125	<a href="#">16501-96-24</a>	8,200	72.00
16	5.00	5 1/2	1	Tapered	<a href="#">16509-66-16</a>	6,000	<a href="#">16509-65-16</a>	8,000	<a href="#">16509-67-16</a>	9,000	<a href="#">16509-95-16</a>	9,125	<a href="#">16509-96-16</a>	8,200	72.00
16	5.00	5 1/2	1 1/4	Tapered	<a href="#">16509-66-20</a>	6,000	<a href="#">16509-65-20</a>	8,000	<a href="#">16509-67-20</a>	9,000	<a href="#">16509-95-20</a>	9,125	<a href="#">16509-96-20</a>	8,200	72.00
18	5.00	5 1/4	2 7/16		<a href="#">18500-66-39</a>	6,400	<a href="#">18500-65-39</a>	8,500	<a href="#">18500-67-39</a>	9,000	<a href="#">18500-95-39</a>	9,500	<a href="#">18500-96-39</a>	8,550	90.00
18	5.00	5 1/4	1 1/4	Roller	<a href="#">18501-66-20</a>	6,400	<a href="#">18501-65-20</a>	8,500	<a href="#">18501-67-20</a>	9,000	<a href="#">18501-95-20</a>	9,500	<a href="#">18501-96-20</a>	8,550	90.00
18	5.00	5 1/4	1 1/2	Roller	<a href="#">18501-66-24</a>	6,400	<a href="#">18501-65-24</a>	8,500	<a href="#">18501-67-24</a>	9,000	<a href="#">18501-95-24</a>	9,500	<a href="#">18501-96-24</a>	8,550	90.00
18	5.00	5 1/2	1	Tapered	<a href="#">18509-66-16</a>	6,400	<a href="#">18509-65-16</a>	8,500	<a href="#">18509-67-16</a>	9,000	<a href="#">18509-95-16</a>	9,500	<a href="#">18509-96-16</a>	8,550	90.00
18	5.00	5 1/2	1 1/4	Tapered	<a href="#">18509-66-20</a>	6,400	<a href="#">18509-65-20</a>	8,500	<a href="#">18509-67-20</a>	9,000	<a href="#">18509-95-20</a>	9,500	<a href="#">18509-96-20</a>	8,550	90.00
20	5.00	5 1/4	2 7/16		<a href="#">20500-66-39</a>	6,750	<a href="#">20500-65-39</a>	9,000	<a href="#">20500-67-39</a>	10,500	<a href="#">20500-95-39</a>	11,250	<a href="#">20500-96-39</a>	10,125	110.00
20	5.00	5 1/4	1 1/4	Roller	<a href="#">20501-66-20</a>	6,750	<a href="#">20501-65-20</a>	9,000	<a href="#">20501-67-20</a>	10,500	<a href="#">20501-95-20</a>	11,250	<a href="#">20501-96-20</a>	10,125	110.00
20	5.00	5 1/4	1 1/2	Roller	<a href="#">20501-66-24</a>	6,750	<a href="#">20501-65-24</a>	9,000	<a href="#">20501-67-24</a>	10,500	<a href="#">20501-95-24</a>	11,250	<a href="#">20501-96-24</a>	10,125	110.00
20	5.00	5 1/4	2	Roller	<a href="#">20501-66-32</a>	6,750	<a href="#">20501-65-32</a>	9,000	<a href="#">20501-67-32</a>	10,500	<a href="#">20501-95-32</a>	11,250	<a href="#">20501-96-32</a>	10,125	110.00
20	5.00	5 1/2	1	Tapered	<a href="#">20509-66-16</a>	6,750	<a href="#">20509-65-16</a>	9,000	<a href="#">20509-67-16</a>	10,500	<a href="#">20509-95-16</a>	11,250	<a href="#">20509-96-16</a>	10,125	110.00
20	5.00	5 1/2	1 1/4	Tapered	<a href="#">20509-66-20</a>	6,750	<a href="#">20509-65-20</a>	9,000	<a href="#">20509-67-20</a>	10,500	<a href="#">20509-95-20</a>	11,250	<a href="#">20509-96-20</a>	10,125	110.00
20	5.00	5 1/2	1 1/2	Tapered	<a href="#">20509-66-24</a>	6,750	<a href="#">20509-65-24</a>	9,000	<a href="#">20509-67-24</a>	10,500	<a href="#">20509-95-24</a>	11,250	<a href="#">20509-96-24</a>	10,125	110.00
20	5.00	5 1/2	2	Tapered	<a href="#">20509-66-32</a>	6,750	<a href="#">20509-65-32</a>	9,000	<a href="#">20509-67-32</a>	10,500	<a href="#">20509-95-32</a>	11,250	<a href="#">20509-96-32</a>	10,125	110.00



## NYTEC WHEELS

**Caster Concepts has developed a wide range of industrial application solutions using engineered plastics. Some of these applications include:**

**VERTICAL DROP LIFT GUIDE AND ROLLER ASSEMBLIES**

**CONVEYOR ACCUMULATION ROLLERS**

**TURN TABLE SUPPORT AND LOAD WHEELS**

**HIGH LOAD CAPACITY CASTER WHEELS**

Caster Concepts chooses materials, which are suited to the customer's specific application, where duty cycle, environment and loads are fully understood. Engineered plastics offer lower coefficient of friction and good abrasion resistance, and excellent structural rigidity in a wide variety of applications where cast iron or steel were previously used.

Many of the compositions are filled with lubricating materials which allow applications in situations where maintenance is an issue. Materials can be dynamically tested in the Caster Concepts Engineering Test facility to duplicate duty cycle and loads prior to installation in the field.

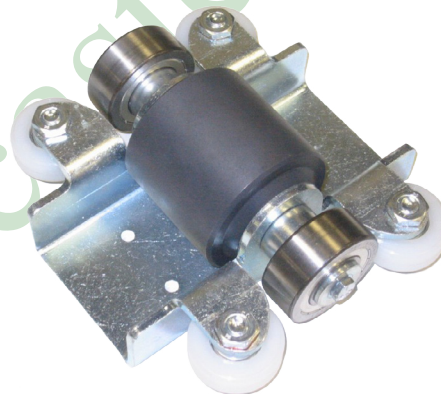
Caster Concepts' NYTEC- MD materials are widely used as idlers and support wheels in many large turn table applications. They provide a high load capacity while also offering a material that will provide reduced noise when compared to steel.

The Caster Concepts NYTEC- HS is a heat stabilized material which is suited for higher loads, with thermal stability up to 260 degrees Fahrenheit. This material is excellent in applications where continual use is necessary. Wheels manufactured in NYTEC- HS material have been tested under load to 2 million revolutions and have shown little or no wear to the tread surface.

Engineered Plastic Wheels and Rollers offer you additional solution opportunities for your specific application needs. Contact Caster Concepts for assistance in designing a rolling solution for you.



Floor-to-floor elevator guide wheel of NYTEC-HS



Automotive Assembly line roller flight accumulation conveyor roller



Belt Conveyor take up assembly with belt guard



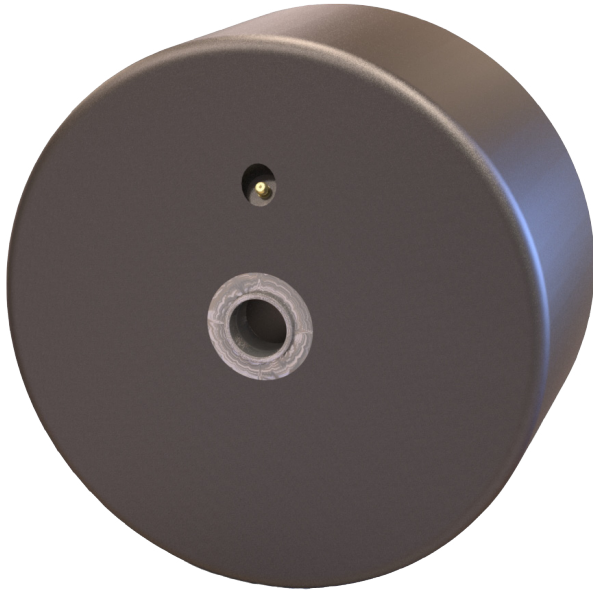


# NYTEC-MD WHEELS

9,360 LBS maximum capacity

NYTEC-MD WHEELS

WHEELS



## FEATURES

NyTec-MD is a nylon filled material which provides a high load capacity, floor protective wheel. Wheel capacities approach those of similar cast iron and steel wheels. Nytec-MD material is resistant to most harsh environments. The non-abrasive and vibration dampening material actually provides a quieter operation when compared to steel or cast iron wheels. When used in wet environments, plain bore NyTec-MD wheels can be used as the material is self lubricating. NyTec wheels are offered with precision tapered, precision ball, and straight roller bearings. For special applications, contact the factory.

WHEEL				PART NUMBER			CAPACITY
Dia.	Width	Hub Length	Bore	Roller	Ball	Tapered	Capacity
3	2.19	2 7/16	1/2	<a href="#">03201-39-12</a>	<a href="#">03202-39-08</a>	<a href="#">03209-39-08</a>	1,560
3	3.25	3 1/2	1	<a href="#">03301-39-16*</a>		<a href="#">03309-39-16</a>	2,340
3	3.25	3 1/4	1 1/4	<a href="#">03301-39-20</a>			2,340
3	4.25	4 1/2	3/4		<a href="#">03402-39-12</a>	<a href="#">03409-39-12</a>	2,340
3	4.25	4 1/2	1			<a href="#">03409-39-16</a>	3,120
4	2.19	2 7/16	1/2	<a href="#">04201-39-12</a>	<a href="#">04202-39-08</a>	<a href="#">04209-39-08</a>	2,080
4	3.25	3 1/2	3/4		<a href="#">04302-39-12</a>	<a href="#">04309-39-12</a>	3,120
4	3.25	3 1/2	1	<a href="#">04301-39-16*</a>		<a href="#">04309-39-16</a>	3,120
4	3.25	3 1/2	1 1/4	<a href="#">04301-39-20*</a>		<a href="#">04309-39-20</a>	3,120
4	4.25	4 1/2	3/4		<a href="#">04402-39-12</a>	<a href="#">04409-39-12</a>	4,160
4	4.25	4 1/2	1		<a href="#">04402-39-16</a>	<a href="#">04409-39-16</a>	4,160
4	4.25	4 1/2	1 1/4	<a href="#">04401-39-20*</a>	<a href="#">04402-39-20</a>	<a href="#">04409-39-20</a>	4,160
4	4.25	4 1/4	1 1/2	<a href="#">04401-39-24</a>			4,160





# NYTEC-MD WHEELS 9,360 LBS

WHEEL				PART NUMBER			CAPACITY
Dia.	Width	Hub Length	Bore	Roller	Ball	Tapered	Capacity
6	2.19	2 7/16	1/2	<u>06201-39-12</u>	<u>06202-39-08</u>	<u>06209-39-08</u>	3,120
6	3.25	3 1/2	3/4		<u>06302-39-12</u>	<u>06309-39-12</u>	4,680
6	3.25	3 1/2	1	<u>06301-39-16*</u>	<u>06302-39-16</u>	<u>06309-39-16</u>	4,680
6	3.25	3 1/2	1 1/4	<u>06301-39-20*</u>	<u>06302-39-20</u>	<u>06309-39-20</u>	4,680
6	4.25	4 1/2	1		<u>06402-39-16</u>	<u>06409-39-16</u>	6,240
6	4.25	4 1/2	1 1/4	<u>06401-39-20*</u>	<u>06402-39-20</u>	<u>06409-39-20</u>	6,240
6	4.25	4 1/4	1 1/2	<u>06401-39-24</u>			6,240
6	5.25	5 1/2	1		<u>06502-39-16</u>	<u>06509-39-16</u>	7,800
6	5.25	5 1/2	1 1/4	<u>06501-39-20*</u>	<u>06502-39-20</u>	<u>06509-39-20</u>	7,800
6	5.25	5 1/4	1 1/2	<u>06501-39-24</u>			7,800
8	2.19	2 7/16	1/2	<u>08201-39-12</u>	<u>08202-39-08</u>	<u>08209-39-08</u>	4,160
8	3.25	3 1/2	3/4		<u>08302-39-12</u>	<u>08309-39-12</u>	6,240
8	3.25	3 1/2	1	<u>08301-39-16*</u>	<u>08302-39-16</u>	<u>08309-39-16</u>	6,240
8	3.25	3 1/2	1 1/4	<u>08301-39-20*</u>	<u>08302-39-20</u>	<u>08309-39-20</u>	6,240
8	4.25	4 1/2	1		<u>08402-39-16</u>	<u>08409-39-16</u>	8,320
8	4.25	4 1/2	1 1/4	<u>08401-39-20*</u>	<u>08402-39-20</u>	<u>08409-39-20</u>	8,320
8	4.25	4 1/4	1 1/2	<u>08401-39-24</u>			8,320
8	5.25	5 1/2	1		<u>08502-39-16</u>	<u>08509-39-16</u>	10,400
8	5.25	5 1/2	1 1/4	<u>08501-39-20*</u>	<u>08502-39-20</u>	<u>08509-39-20</u>	10,400
8	5.25	5 1/4	1 1/2	<u>08501-39-24</u>			10,400
10	3.25	3 1/2	3/4		<u>10302-39-12</u>	<u>10309-39-12</u>	7,800
10	3.25	3 1/2	1	<u>10301-39-16*</u>	<u>10302-39-16</u>	<u>10309-39-16</u>	7,800
10	3.25	3 1/2	1 1/4	<u>10301-39-20*</u>	<u>10302-39-20</u>	<u>10309-39-20</u>	7,800
10	4.25	4 1/2	1		<u>10402-39-16</u>	<u>10409-39-16</u>	10,400
10	4.25	4 1/2	1 1/4	<u>10401-39-20*</u>	<u>10402-39-20</u>	<u>10409-39-20</u>	10,400
10	4.25	4 1/4	1 1/2	<u>10401-39-24</u>			10,400
10	5.25	5 1/2	1		<u>10502-39-16</u>	<u>10509-39-16</u>	13,000
10	5.25	5 1/2	1 1/4	<u>10501-39-20*</u>	<u>10502-39-20</u>	<u>10509-39-20</u>	13,000
10	5.25	5 1/4	1 1/2	<u>10501-39-24</u>			13,000
12	3.25	3 1/2	3/4		<u>12302-39-12</u>	<u>12309-39-12</u>	11,440
12	3.25	3 1/2	1	<u>12301-39-16*</u>	<u>12302-39-16</u>	<u>12309-39-16</u>	11,440
12	3.25	3 1/2	1 1/4	<u>12301-39-20*</u>	<u>12302-39-20</u>	<u>12309-39-20</u>	11,440
12	4.25	3 1/2	1		<u>12402-39-16</u>	<u>12409-39-16</u>	12,480
12	4.25	3 1/2	1 1/4	<u>12401-39-20*</u>	<u>12402-39-20</u>	<u>12409-39-20</u>	12,480
12	4.25	3 1/4	1 1/2	<u>12401-39-24</u>			12,480
12	5.25	5 1/2	1		<u>12502-39-16</u>	<u>12509-39-16</u>	15,600
12	5.25	5 1/2	1 1/4	<u>12501-39-20*</u>	<u>12502-39-20</u>	<u>12509-39-20</u>	15,600
12	5.25	5 1/2	1 1/2	<u>12501-39-24</u>			15,600
12	6.25	6 1/2	1		<u>12602-39-16</u>	<u>12609-39-16</u>	18,720
12	6.25	6 1/2	1 1/4		<u>12602-39-20</u>	<u>12609-39-20</u>	18,720

\* These wheels have .25 shorter hub length.



# KEYWAY WHEELS

**3,000** LBS maximum capacity

KEYWAY WHEELS

WHEELS



## FEATURES

A wide variety of keyway drive wheels are available. Keyway drive wheels are used in various power transmission applications. The keyways are cut to fit a keywayed shaft and are held in place with two set screws. One set screw is placed over the key and one at 90 degrees to the keyway. The most popular models in rubber and soft polyurethane are shown in the charts. Keyway wheels are manufactured in other materials, forged steel or cast iron, are available. Check the wheel widths on the chart and select the appropriate bushing. Costing for specific requirements is also readily available.

WHEEL						
Dia.	Width	Hub Length	Bore	Keyway Size	Part Number	Capacity
<b>Drive Rollers - Mold on Rubber Roller Surfaces - Durometer hardness is 70-75A</b>						
3	2.00	3 1/4 offset	1/2	1/8 x 1/16	<a href="#">03200-70-08-KWA</a>	300
3	2.00	3 1/4 offset	3/4	3/16 x 3/32	<a href="#">03200-70-12-KWB</a>	300
4	2.00	3 1/4 offset	1/2	1/8 x 1/16	<a href="#">04200-70-08-KWA</a>	350
4	2.00	3 1/4 offset	3/4	3/16 x 3/32	<a href="#">04200-70-12-KWB</a>	350
5	2.00	2 3/16	1/2	1/8 x 1/16	<a href="#">05200-70-08-KWAA</a>	400
5	2.00	2 3/16	3/4	3/16 x 3/32	<a href="#">05200-70-12-KWBB</a>	400
6	2.00	2 3/16	1/2	1/8 x 1/16	<a href="#">06200-70-08-KWAA</a>	425
6	2.00	2 3/16	3/4	3/16 x 3/32	<a href="#">06200-70-12-KWBB</a>	425
6	3.00	3 1/4	1/2	1/8 x 1/16	<a href="#">06300-70-08-KWA</a>	500
6	3.00	3 1/4	3/4	3/16 x 3/32	<a href="#">06300-70-12-KWB</a>	500
6	3.00	3 1/4	1	1/4 x 1/8	<a href="#">06300-70-16-KWC</a>	500
6	3.00	3 1/4	1 1/4	1/4 x 1/8	<a href="#">06300-70-20-KWD</a>	500
8	2.00	2 3/16	1/2	1/8 x 1/16	<a href="#">08200-70-08-KWAA</a>	500
8	2.00	2 3/16	3/4	3/16 x 3/32	<a href="#">08200-70-12-KWBB</a>	500
8	3.00	3 1/4	1/2	1/8 x 1/16	<a href="#">08300-70-08-KWA</a>	850
8	3.00	3 1/4	3/4	3/16 x 3/32	<a href="#">08300-70-12-KWB</a>	850
8	3.00	3 1/4	1	1/4 x 1/8	<a href="#">08300-70-16-KWC</a>	850
8	3.00	3 1/4	1 1/4	1/4 x 1/8	<a href="#">08300-70-20-KWD</a>	850
10	3.00	3 1/4	1/2	1/8 x 1/16	<a href="#">10300-70-08-KWA</a>	800
10	3.00	3 1/4	3/4	3/16 x 3/32	<a href="#">10300-70-12-KWB</a>	800
10	3.00	3 1/4	1	1/4 x 1/8	<a href="#">10300-70-16-KWC</a>	1,000
10	3.00	3 1/4	1 1/4	1/4 x 1/8	<a href="#">10300-70-20-KWD</a>	1,000
10	4.00	4 1/4	1 1/2	3/8 x 3/16	<a href="#">10400-70-24-KWE</a>	1,400



# KEYWAY WHEELS 3,000 LBS

WHEEL						
Dia.	Width	Hub Length	Bore	Keyway Size	Part Number	Capacity
<b>Drive Rollers - Soft Polyurethane Roller Surfaces - Durometer Hardness is 85A</b>						
3	2.00	3 1/4 offset	1/2	1/8 x 1/16	<a href="#">03200-61-08-KWA</a>	300
3	2.00	3 1/4 offset	3/4	3/16 x 3/32	<a href="#">03200-61-12-KWB</a>	300
4	2.00	3 1/4 offset	1/2	1/8 x 1/16	<a href="#">04200-66-08-KWA</a>	350
4	2.00	3 1/4 offset	3/4	3/16 x 3/32	<a href="#">04200-66-12-KWB</a>	350
5	2.00	2 3/16	1/2	1/8 x 1/16	<a href="#">05200-61-08-KWAA</a>	400
5	2.00	2 3/16	3/4	3/16 x 3/32	<a href="#">05200-61-12-KWBB</a>	400
6	2.00	2 3/16	1/2	1/8 x 1/16	<a href="#">06200-61-08-KWAA</a>	425
6	2.00	2 3/16	3/4	3/16 x 3/32	<a href="#">06200-61-12-KWBB</a>	425
6	3.00	3 1/4	1/2	1/8 x 1/16	<a href="#">06300-66-08-KWA</a>	800
6	3.00	3 1/4	3/4	3/16 x 3/32	<a href="#">06300-66-12-KWB</a>	800
6	3.00	3 1/4	1	1/4 x 1/8	<a href="#">06300-66-16-KWC</a>	1,600
6	3.00	3 1/4	1 1/4	1/4 x 1/8	<a href="#">06300-66-20-KWD</a>	1,600
8	2.00	2 3/16	1/2	1/8 x 1/16	<a href="#">08200-61-08-KWAA</a>	500
8	2.00	2 3/16	3/4	3/16 x 3/32	<a href="#">08200-61-12-KWBB</a>	500
8	3.00	3 1/4	1/2	1/8 x 1/16	<a href="#">08300-66-08-KWA</a>	800
8	3.00	3 1/4	3/4	3/16 x 3/32	<a href="#">08300-66-12-KWB</a>	800
8	3.00	3 1/4	1	1/4 x 1/8	<a href="#">08300-66-16-KWC</a>	1,600
8	3.00	3 1/4	1 1/4	1/4 x 1/8	<a href="#">08300-66-20-KWD</a>	1,600
10	3.00	3 1/4	3/4	3/16 x 3/32	<a href="#">10300-66-12-KWB</a>	800
10	3.00	3 1/4	1	1/4 x 1/8	<a href="#">10300-66-16-KWC</a>	1,600
10	3.00	3 1/4	1 1/4	1/4 x 1/8	<a href="#">10300-66-20-KWD</a>	1,600
10	4.00	4 1/4	1 1/2	3/8 x 3/16	<a href="#">10400-66-24-KWE</a>	2,500
10	5.00	5 1/4	1 1/2	3/8 x 3/16	<a href="#">10500-66-24-KWEE</a>	2,500
12	4.00	4 1/4	1 1/2	3/8 x 3/16	<a href="#">12400-66-24-KWE</a>	3,000

## BUSHINGS FOR MOTORIZED/KEYWAY WHEELS

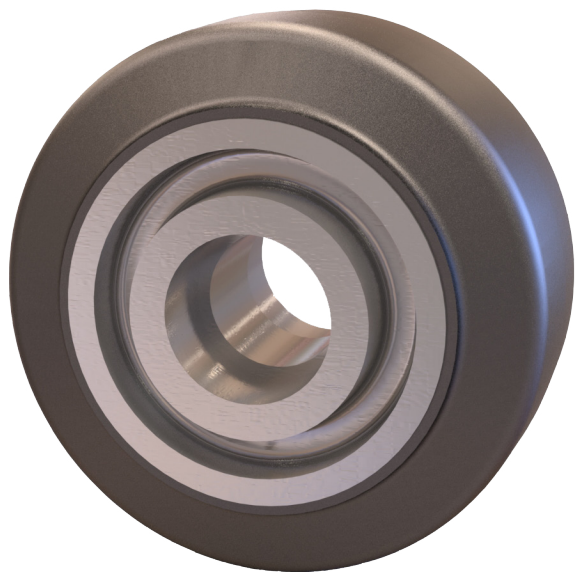
Part	Inner Diameter	Outer Diameter	Length	Keyway	Wheel Width
KWAA	0.5	1.19	2.44	0.125	2"
KWBB	0.75	1.19	2.44	0.188	2"
KWA	0.5	1.94	3.25	0.125	2-1/2" or 3"
KWB	0.75	1.94	3.25	0.188	2-1/2" or 3"
KWC	1	1.94	3.25	0.25	2-1/2" or 3"
KWD	1.25	1.94	3.25	0.25	2-1/2" or 3"
KWE	1.5	2.44	4.25	0.375	4"
KWEE	1.5	2.44	5.25	0.375	5"



# MOLD ON RUBBER WHEELS

**3,000** LBS maximum capacity

KEYWAY WHEELS



## FEATURES

**Bearings:** Delrin, oilite, roller, precision ball, tapered.

**Temperature:** Maximum to 180° F

**Durometer:** 70 Durometer Shore A

**Standard:** All 1-1/2" and 2" width wheels with 3/4" roller bearings are supplied with 1/2" spanner bushing.

Caster Concepts offers the highest quality domestic Mold On Rubber wheels. Our mold-on rubber wheels consist of a soft black, 70 durometer rubber tread permanently bonded Class 30 gray iron centers. Mold-on rubber wheels provide excellent floor protection, a cushioned and quiet ride for the product being transported, and they absorb shock and vibration.

## APPLICATIONS

Excellent for moist and wet environments, food service equipment, small waste bins, factory use, platform trucks and hotel equipment.

WHEELS



# MOLD ON RUBBER WHEELS 3,000 LBS

WHEEL					PART NUMBER			
Dia.	Width	Capacity	Hub Length	Bore	Straight Roller	Precision Tapered	Less Bearing	Wt.
5	2.00	400	2 3/16	1 3/16			05200-70-19	2.50
5	2.00	400	2 3/16	3/4	05201-70-12			2.50
6	2.00	425	2 3/16	1 3/16			06200-70-19	4.50
6	2.00	425	2 3/16	3/4	06201-70-12			4.50
6	2.50	550	3 1/4	1 15/16			06250-70-31	6.50
6	2.50	550	3 1/4	1	06251-70-16			6.50
6	2.50	550	3 1/4	1 1/4	06251-70-20			6.50
6	2.50	550	3 1/2	3/4		06259-70-12		6.50
6	2.50	550	3 1/2	1		06259-70-16		6.50
6	3.00	700	3 1/4	1 15/16			06300-70-31	9.50
6	3.00	700	3 1/4	1	06301-70-16			9.50
6	3.00	700	3 1/4	1 1/4	06301-70-20			9.50
6	3.00	700	3 1/2	3/4		06309-70-12		9.50
6	3.00	700	3 1/2	1		06309-70-16		9.50
8	2.00	500	2 3/16	1 3/16			08200-70-19	7.00
8	2.00	500	2 3/16	3/4	08201-70-12			7.00
8	2.50	700	3 1/4	1 15/16			08250-70-31	9.50
8	2.50	700	3 1/4	1	08251-70-16			9.50
8	2.50	700	3 1/4	1 1/4	08251-70-20			9.50
8	2.50	700	3 1/2	3/4		08259-70-12		9.50
8	3.00	850	3 1/4	1 15/16			08300-70-31	12.50
8	3.00	850	3 1/4	1	08301-70-16			12.50
8	3.00	850	3 1/4	1 1/4	08301-70-20			12.50
8	3.00	850	3 1/2	3/4		08309-70-12		12.50
8	3.00	850	3 1/2	1		08309-70-16		12.50
8	3.00	850	3 1/2	1 1/4		08309-70-20		12.50
10	2.50	800	3 1/4	1 15/16			10250-70-31	13.00
10	2.50	800	3 1/4	1	10251-70-16			13.00
10	2.50	800	3 1/4	1 1/4	10251-70-20			13.00
10	2.50	800	3 1/2	3/4		10259-70-12		13.00
10	2.50	800	3 1/2	1		10259-70-16		13.00
10	3.00	1,000	3 1/4	1 15/16			10300-70-31	16.00
10	3.00	1,000	3 1/4	1	10301-70-16			16.00
10	3.00	1,000	3 1/4	1 1/4	10301-70-20			16.00
10	3.00	1,000	3 1/2	3/4		10309-70-12		16.00
10	3.00	1,000	3 1/2	1		10309-70-16		16.00
10	4.00	1,400	4 1/4	2 7/16			10400-70-39	33.00
10	4.00	1,400	4 1/4	1 1/4	10401-70-20			33.00
10	4.00	1,400	4 1/4	1 1/2	10401-70-24			33.00
10	4.00	1,400	4 1/2	1		10409-70-16		33.00
10	4.00	1,400	4 1/2	1 1/4		10409-70-20		33.00

# MOLD ON RUBBER WHEELS 3,000 LBS



MOLD ON RUBBER WHEELS

WHEELS

WHEEL					PART NUMBER			
Dia.	Width	Capacity	Hub Length	Bore	Straight Roller	Precision Tapered	Less Bearing	Wt.
12	2.50	900	3 1/4	1 15/16			<u>12250-70-31</u>	15.50
12	2.50	900	3 1/4	1	<u>12251-70-16</u>			15.50
12	2.50	900	3 1/4	1 1/4	<u>12251-70-20</u>			15.50
12	2.50	900	3 1/2	3/4		<u>12259-70-12</u>		15.50
12	2.50	900	3 1/2	1		<u>12259-70-16</u>		15.50
12	3.00	1,125	3 1/4	1 15/16			<u>12300-70-31</u>	21.00
12	3.00	1,125	3 1/4	1	<u>12301-70-16</u>			21.00
12	3.00	1,125	3 1/4	1 1/4	<u>12301-70-20</u>			21.00
12	3.00	1,150	3 1/2	3/4		<u>12309-70-12</u>		21.00
12	3.00	1,150	3 1/2	1		<u>12309-70-16</u>		21.00
12	4.00	1,600	4 1/4	2 7/16			<u>12400-70-39</u>	30.00
12	4.00	1,600	4 1/4	1 1/4	<u>12401-70-20</u>			30.00
12	4.00	1,600	4 1/4	1 1/2	<u>12401-70-24</u>			30.00
12	4.00	1,600	4 1/2	1		<u>12409-70-16</u>		30.00
12	4.00	1,600	4 1/2	1 1/4		<u>12409-70-20</u>		30.00
16	4.00	1,450	4 1/4	2 7/16			<u>16400-70-39</u>	40.00
16	4.00	1,450	4 1/4	1 1/4	<u>16401-70-20</u>			40.00
16	4.00	1,450	4 1/4	1 1/2	<u>16401-70-24</u>			40.00
16	4.00	1,450	4 1/2	1		<u>16409-70-16</u>		40.00
16	4.00	1,450	4 1/2	1 1/4		<u>16409-70-20</u>		40.00
16	5.00	1,500	5 1/4	2 7/16			<u>16500-70-39</u>	72.00
16	5.00	1,500	5 1/4	1 1/4	<u>16501-70-20</u>			72.00
16	5.00	1,500	5 1/4	1 1/2	<u>16501-70-24</u>			72.00
16	5.00	1,500	5 1/2	1		<u>16509-70-16</u>		72.00
16	5.00	1,500	5 1/2	1 1/4		<u>16509-70-20</u>		72.00
18	5.00	2,800	5 1/4	2 7/16			<u>18500-70-39</u>	90.00
18	5.00	2,800	5 1/4	1 1/4	<u>18501-70-20</u>			90.00
18	5.00	2,800	5 1/4	1 1/2	<u>18501-70-24</u>			90.00
18	5.00	2,800	5 1/4	3 1/4			<u>18500-70-50</u>	90.00
18	5.00	2,800	5 1/4	2	<u>18501-70-32</u>			90.00
18	5.00	2,800	5 1/2	1		<u>18509-70-16</u>		90.00
18	5.00	2,800	5 1/2	1 1/4		<u>18509-70-20</u>		90.00
18	5.00	2,800	5 1/2	1 1/2		<u>18509-70-24</u>		90.00
20	5.00	3,000	5 1/4	2 7/16			<u>20500-70-39</u>	100.00
20	5.00	3,000	5 1/4	1 1/4	<u>20501-70-20</u>			100.00
20	5.00	3,000	5 1/4	1 1/2	<u>20501-70-24</u>			100.00
20	5.00	3,000	5 1/4	3 1/4			<u>20500-70-50</u>	100.00
20	5.00	3,000	5 1/4	2	<u>20501-70-32</u>			100.00
20	5.00	3,000	5 1/2	1		<u>20509-70-16</u>		100.00
20	5.00	3,000	5 1/2	1 1/4		<u>20509-70-20</u>		100.00
20	5.00	3,000	5 1/2	1 1/2		<u>20509-70-24</u>		100.00