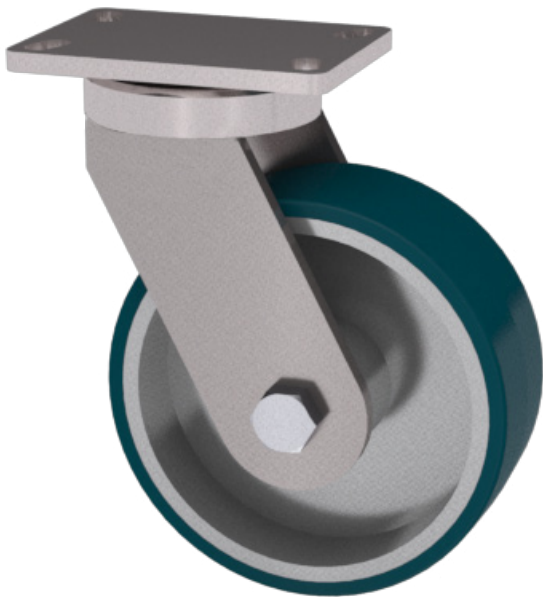


71

SERIES KINGPINLESS STYLE

4,500 LBS maximum capacity



Item Shown: 71-08301-80-1

FEATURES

Swivel Section: High alloy steel swivel section features a precision machined and through hardened 3-1/4" diameter raceway.

Legs: 3/8" x 3" legs are formed and continuously welded inside and outside to the yoke base.

Kingpin: Kingpinless style design.

Axle: 3/4" bolt and locking nut.

Lubrication: Pre-lubricated before shipping.

Wheels: 4" to 12" wheels are available with either 1" roller bearings with a hardened and ground steel spanner bushing, 3/4" tapered bearing, or precision ball bearings.

Finish: Clear zinc plating.

BENEFITS

The 71 Series is our heaviest offering in the fabricated single ball race caster. These swivel bearings act as both load and thrust components and lock the swivel section together to distribute the load over a larger area. Because of the unique fabrication of the swivel section, various top plate options can be utilized.

Sealed Swivel: SSW

Sealed Wheels: SW

Toe Guard: TG

**For wheels with diameter >6*

Lord mounts - shear disc suspension available, consult factory.

OPTIONS

Brakes:

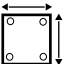
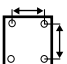
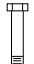
- Poly Lock: P*
- Wrap Around: W*
- Face Contact: F
- Single Side: SS
- Dual Side: DS

Swivel Locks:

- Factory Installed: L
- Demountable: DL
- Passive: PL

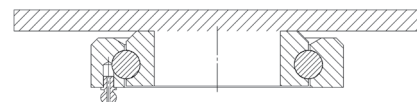
APPLICATIONS

The 71 Series casters are well suited for medium duty towing applications where shock loads are present. In addition, they may be used for dough troughs, high capacity die tables, machinery dollies, corrugated steel box trucks, heavy portable storage racks, mobile military equipment, aircraft maintenance stands, and aircraft crew stairs.

		
Top Plate Size	Bolt Hole Spacing	Bolt Diameter
Std: 5.0 x 7.25 x 0.38	3.375 x 5.25 Slotted to 4.125 x 6.125	0.5
OT 60: 4.5 x 6.25	2.438 x 4.938 Slotted to 3.375 x 5.25	0.5
OT 75: 6.0 x 7.0 x 0.38	4.625 x 5.5	0.5
OT 80: 6.0 x 7.5 x 0.5	4.5 x 6.0	0.5

Note: OT 80 will increase OAH by 1/8"

71 Series Cross Sectional View



WHEEL			CAPACITY				PART NUMBER			
Dia.	Width	Material	Roller Bearing	Tapered	OAH	Swivel Lead	Straight Roller	Precision Tapered	Swivel Radius	Wt.
4	3.00	Cast Iron	2,000		6.00	2.00	71-04301-10-1		4.27	20.00
4	3.25	Standard Polyurethane	1,200	1,200	6.00	2.00	71-04321-60-1		4.32	17.00
5	2.50	Cast Iron	2,000	2,000	7.00	2.25	71-05251-10-1	71-05259-10-1	4.91	24.00
5	3.00	Standard Polyurethane	1,550	1,550	7.00	2.25	71-05301-60-1	71-05309-60-1	4.98	23.00
6	2.50	Cast Iron	2,500	2,500	8.00	2.25	71-06251-10-1	71-06259-10-1	5.40	27.00
6	2.50	Forged Steel	4,000	4,500	8.00	2.25	71-06251-20-1	71-06259-20-1	5.40	25.00
6	3.00	Cast Iron	2,500	2,500	8.00	2.25	71-06301-10-1	71-06309-10-1	5.46	25.00
6	3.00	Phenolic Resin	2,000	2,000	8.00	2.25	71-06301-30-1	71-06309-30-1	5.46	19.00
6	3.00	Standard Polyurethane	2,050	2,050	8.00	2.25	71-06301-60-1	71-06309-60-1	5.46	21.00
6	3.00	T/R Polyurethane	1,640		8.00	2.25		71-06302-61-1*	5.46	21.00
6	3.00	H.D. Standard Polyurethane	2,450	2,450	8.00	2.25	71-06301-65-1	71-06309-65-1	5.46	23.00
6	3.00	H.D. T/R Polyurethane	2,050	2,050	8.00	2.25	71-06301-66-1	71-06309-66-1	5.46	23.00
6	3.00	Mold On Rubber	675	675	8.00	2.25	71-06301-70-1	71-06309-70-1	5.46	24.00
8	3.00	Cast Iron	3,500	3,500	10.50	2.50	71-08301-10-1	71-08309-10-1	6.67	34.00
8	3.00	Forged Steel	4,500	4,500	10.50	2.50	71-08301-20-1	71-08309-20-1	6.67	34.00
8	3.00	Phenolic Resin	2,500	2,500	10.50	2.50	71-08301-30-1	71-08309-30-1	6.67	22.00
8	3.00	Standard Polyurethane	2,500	2,500	10.50	2.50	71-08301-60-1	71-08309-60-1	6.67	30.00
8	3.00	T/R Polyurethane		2,000	10.50	2.50		71-08302-61-1*	6.67	30.00
8	3.00	H.D. Standard Polyurethane	3,100	3,100	10.50	2.50	71-08301-65-1	71-08309-65-1	6.67	34.00
8	3.00	H.D. T/R Polyurethane	2,500	2,500	10.50	2.50	71-08301-66-1	71-08309-66-1	6.67	34.00
8	3.00	Mold On Rubber	840	840	10.50	2.50	71-08301-70-1	71-08309-70-1	6.67	27.00
10	3.00	Cast Iron	3,500	3,500	12.50	3.00	71-10301-10-1	71-10309-10-1	8.14	40.00
10	3.00	Forged Steel	4,500	4,500	12.50	3.00	71-10301-20-1	71-10309-20-1	8.14	43.00
10	3.00	Phenolic Resin	2,900	2,900	12.50	3.00	71-10301-30-1	71-10309-30-1	8.14	25.00
10	3.00	Standard Polyurethane	3,000	3,000	12.50	3.00	71-10301-60-1	71-10309-60-1	8.14	35.00
10	3.00	T/R Polyurethane		2,400	12.50	3.00		71-10302-61-1*	8.14	35.00
10	3.00	H.D. Standard Polyurethane	3,500	3,500	12.50	3.00	71-10301-65-1	71-10309-65-1	8.14	40.00
10	3.00	H.D. T/R Polyurethane	2,750	2,750	12.50	3.00	71-10301-66-1	71-10309-66-1	8.14	40.00
12	3.00	Phenolic Resin	3,500	3,500	15.50	3.00	71-12301-30-1	71-12309-30-1	9.12	30.00
12	3.00	Standard Polyurethane	3,500	3,500	15.50	3.00	71-12301-60-1	71-12309-60-1	9.12	25.00
12	3.00	Mold On Rubber	1,125	1,125	15.50	3.00	71-12301-70-1	71-12309-70-1	9.12	25.00

*These casters have precision ball bearings.
 Capacity listed is for manual operation. For powered operations, consult factory.
 Part Numbers listed are for the swivel casters. For rigid casters, change series to 70 and change the last digit from 1 to 2 (i.e. 70-06301-60-2)
 Estimated weight is for swivel caster. Deduct 20 percent of swivel caster weight for rigid casters.
 All dimensions are in inches. All weights are in pounds.