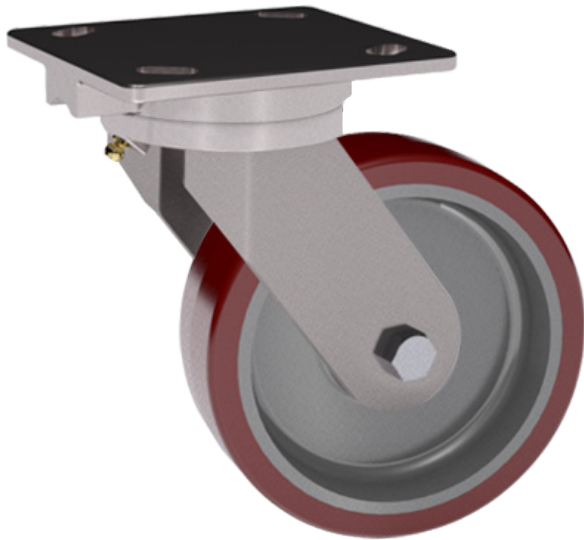


# 37 SERIES MEDIUM DUTY

750 <sup>lbs</sup> maximum capacity



Item Shown: 37-05202-65-1

## FEATURES

**Swivel Section:** Sealed precision ball bearing with hardened raceways and neoprene seals.

**Legs:** 1/4" x 1.5" steel, formed and continuously welded on the inside and outside to the yoke base.

**Wheels:** 4" to 8" diameter wheels are available with sealed precision ball bearings.

**Axle:** 1/2" diameter.

**Finish:** Clear zinc plating.

## BENEFITS

The 37 Series is maintenance free with its sealed precision ball bearings in the swivel section and in the wheels. The smooth rotation and extended lead lowers ergonomic forces.

## APPLICATIONS

Excellent for daughter carts in mother/daughter type production cart systems, production racks and fixtures, parts bins, manual push carts, conveyor systems, and other applications where maintenance free casters and ergonomics are concerns.

## OPTIONS

### Brakes:

Poly Lock: ..... P\*  
Face Contact: ..... F

### Swivel Locks:

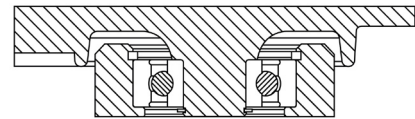
Factory Installed: ..... L  
Demountable: ..... DL

Toe Guard: ..... TG

\*For wheels with diameter ≥6

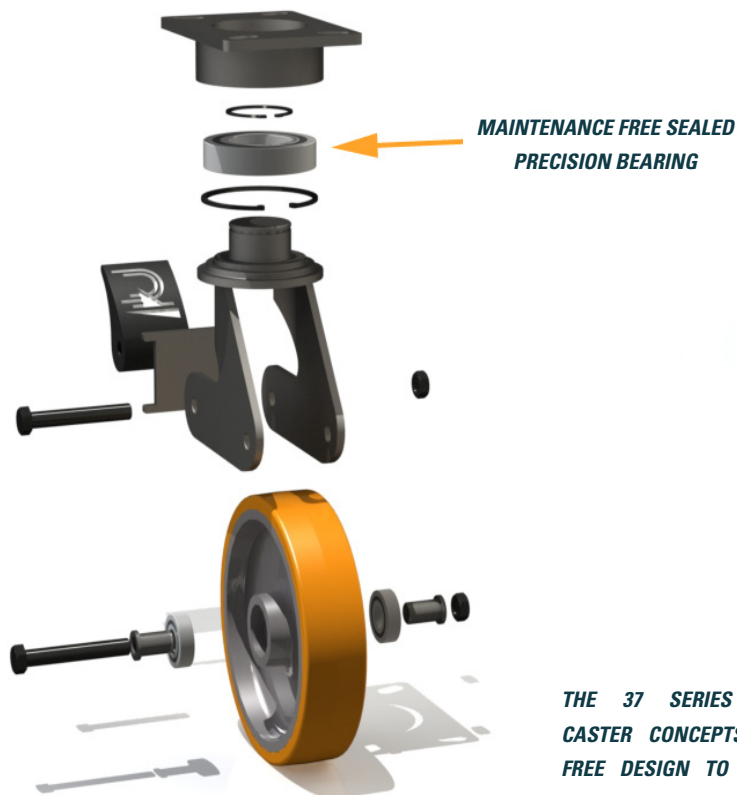
Top Plate Size	Bolt Hole Spacing	Bolt Diameter
Std: 4.0 x 5.0	2.625 x 3.625 Slotted to 3.0 x 3.0	0.375

### 37 Series Cross Sectional View



WHEEL			CAPACITY			PART NUMBER		
Dia.	Width	Material	Precision Ball	OAH	Swivel Lead	Precision Ball	Swivel Radius	Wt.
4	2.00	Phenolic	750	5.63	2.25	<u>37-04204-30-1*</u>	4.36	5.41
4	2.00	T/R Polyurethane	600	5.63	2.25	<u>37-04204-61-1*</u>	4.36	7.35
4	2.00	T/R-95 Polyurethane	750	5.63	2.25	<u>37-04204-91-1*</u>	4.36	7.35
4	2.00	HPPT Polyurethane	750	5.63	2.25	<u>37-04204-90-1*</u>	4.36	7.35
5	2.00	Phenolic	750	6.5	2.25	<u>37-05204-30-1*</u>	4.85	6.37
5	2.00	T/R Polyurethane	750	6.5	2.25	<u>37-05202-61-1</u>	4.85	9.83
5	2.00	T/R-95 Polyurethane	750	6.5	2.25	<u>37-05202-91-1</u>	4.85	9.83
5	2.00	HPPT Polyurethane	750	6.5	2.25	<u>37-05202-90-1</u>	4.85	9.83
6	2.00	Phenolic	750	7.5	2.25	<u>37-06204-30-1*</u>	5.34	7.19
6	2.00	T/R Polyurethane	750	7.5	2.25	<u>37-06202-61-1</u>	5.34	10.44
6	2.00	T/R-95 Polyurethane	750	7.5	2.25	<u>37-06202-91-1</u>	5.34	10.44
6	2.00	HPPT Polyurethane	750	7.5	2.25	<u>37-06202-90-1</u>	5.34	10.44
8	2.00	Phenolic	750	10.12	2.25	<u>37-08204-30-1*</u>	6.32	8.83
8	2.00	T/R Polyurethane	750	10.12	2.25	<u>37-08202-61-1</u>	6.32	13.46
8	2.00	T/R-95 Polyurethane	750	10.12	2.25	<u>37-08202-91-1</u>	6.32	13.46
8	2.00	HPPT Polyurethane	750	10.12	2.25	<u>37-08202-90-1</u>	6.32	13.46

Capacity listed is for manual operation. For powered operations, consult factory.  
 Part Numbers listed are for the swivel casters. For rigid casters, change the last digit from 1 to 2 (i.e. 37-08202-61-2)  
 Estimated weight is for swivel caster. Deduct 20 percent of swivel caster weight for rigid casters.  
 \* This caster has annular ball bearings  
 All dimensions are in inches. All weights are in pounds.



THE 37 SERIES INCORPORATES CASTER CONCEPTS MAINTENANCE FREE DESIGN TO CARRY A LOAD EVENLY OVER A RADIALLY LOADED PRECISION BALL BEARING.