






**Contents: Section 21**

**Wheel series**

	<p><b>HTH</b></p> <p>Series HTH Wheel Ø [mm] 60 - 90 mm Load capacity [kg] 180 - 850 kg <b>Page 360 - 362</b></p>									
	<p><b>ALTH/VSTH/GTH</b></p> <p>Series ALTH/VSTH/GTH Wheel Ø [mm] 100 - 180 mm Load capacity [kg] 350 - 1050 kg <b>Page 363</b></p>									
	<p><b>HTHW</b></p> <p>Series HTHW Wheel Ø [mm] 82 - 85 mm Load capacity [kg] 440 - 840 kg <b>Page 364 - 366</b></p>									
	<p><b>HPO</b></p> <p>Series HPO Wheel Ø [mm] 80 - 82 mm Load capacity [kg] 600 - 1100 kg <b>Page 367 - 368</b></p>									
	<p><b>ALEV/ALTH/PO</b></p> <p>Series ALEV/ALTH/PO Wheel Ø [mm] 180 - 200 mm Load capacity [kg] 450 - 800 kg <b>Page 369</b></p>									

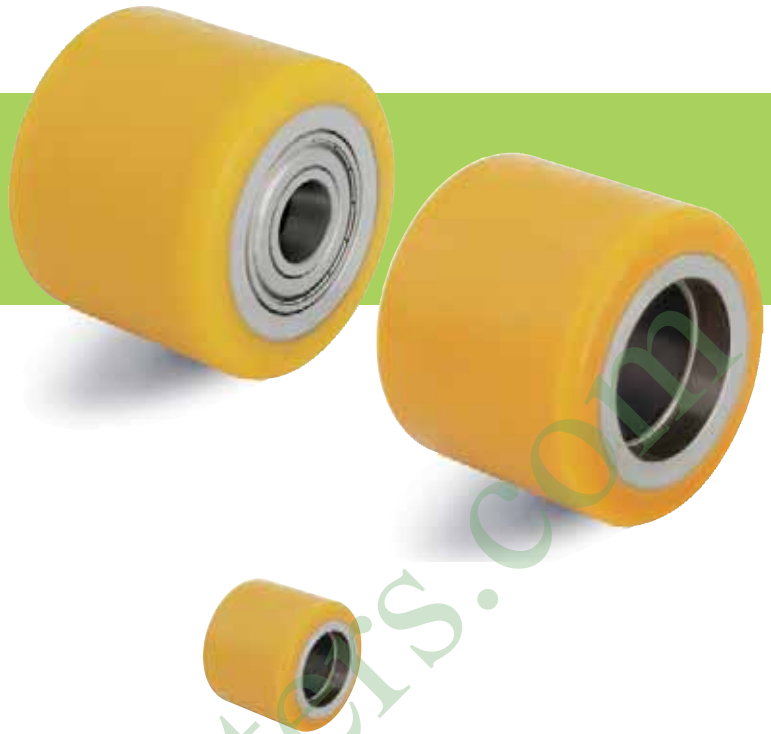


## Rollers and wheels for pallet trucks

Series: HTH, dimensions 60x35 - 82x62 mm

**Rollers for pallet trucks with Blickle Extrathane® polyurethane tread, steel wheel centre**

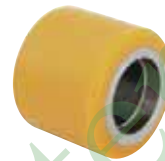
180 - 680 kg



**Treads:** Made of Blickle Extrathane® polyurethane, firmly bonded, colour light brown, non-marking, 92° shore A, elastic, abrasion-resistant, high cut and tear propagation resistance, non-staining, floor-saving, low-noise operation, low rolling resistance, very good chemical connection with the wheel centre.

**Wheel centres:** Tubular steel, supplied with and without ball bearing.

Detailed description: Page 53.



**Rollers for pallet trucks with ball bearing**

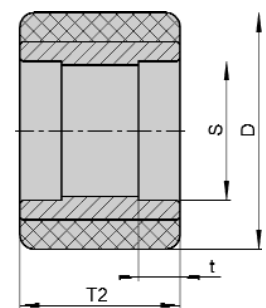
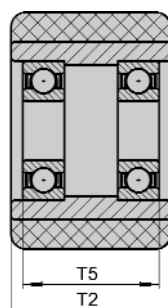
Ref. No.	Wheel Ø (D) [mm]	Wheel width (T2) [mm]	Axle bore Ø (d) [mm]	Clamping length (T5) [mm]	Ball bearing
HTH 60x35/15-35K	60	35	15	35	6002 ZZ
HTH 60x60/10-56K	60	60	10	56	6200 ZZ
HTH 75x40/20-40K	75	40	20	39,6	6204 ZZ
HTH 75x62/20-62K	75	62	20	62	6204 ZZ
HTH 75x75/20-75K	75	75	20	75	6204 ZZ
HTH 75x95/20-95K	75	95	20	94,6	6204 ZZ
HTH 80x40/20-40K	80	40	20	39,6	6204 ZZ
HTH 80x54/20-54K	80	54	20	54	6204 ZZ
HTH 80x54/20-60K	80	54	20	60	6204 ZZV
HTH 80x54/20-59K	80	54	20	59	6204 ZZV
HTH 80x56/20-56K	80	56	20	56	6204 ZZ
HTH 80x62/20-54K	80	62	20	54	6204 ZZ
HTH 80x70/20-60K	80	70	20	60	6204 ZZ
HTH 80x70/20-70K	80	70	20	70	6204 ZZ
HTH 80x74/20-68K	80	74	20	68	6004 ZZ
HTH 80x80/20-80K	80	80	20	80	6204 ZZ
HTH 80x95/20-89K	80	95	20	89	6004 ZZ
HTH 82x28/12-26K	82	28	12	25,6	6201 ZZ
HTH 82x34/12-32K	82	34	12	31,6	6201 ZZ
HTH 82x50/20-52K	82	50	20	52	6204 ZZ
HTH 82x55/17-55K	82	55	17	55	6303 ZZ
HTH 82x60/20-56K	82	60	20	56	6204 ZZ
HTH 82x60/20-60K	82	60	20	60	6204 ZZ
HTH 82x60/25-60K	82	60	25	60	6005 ZZ
HTH 82x60/20-62K	82	60	20	62	6204 ZZ
HTH 82x60/25-52K	82	60	25	52	6205 ZZ
HTH 82x62/20-57K	82	62	20	57	6204 ZZ
HTH 82x62/20-64K	82	62	20	64	6204 ZZ
HTH 82x62/20-65K	82	62	20	65,2	6204 ZZV

**Rollers for pallet trucks without ball bearing**

Ref. No.	Bearing seat Ø (S) [mm]	Bearing seat depth (t) [mm]	Load capacity [kg]
RK-HTH 60x35/32x9	32	9	180
RK-HTH 60x60/30x11	30	11	320
RK-HTH 75x40/47x14	47	14,2	270
RK-HTH 75x62/47x14	47	14	410
RK-HTH 75x75/47x14	47	14	500
RK-HTH 75x95/47x14	47	14,2	640
RK-HTH 80x40/47x14	47	14,2	280
RK-HTH 80x54/47x14	47	14	380
RK-HTH 80x54/47x13	47	12,5	380
RK-HTH 80x56/47x14	47	14	400
RK-HTH 80x62/47x18	47	18	440
RK-HTH 80x70/47x19	47	19	500
RK-HTH 80x70/47x14	47	14	500
RK-HTH 80x74/42x14*	42	14	530
RK-HTH 80x80/47x14	47	14	570
RK-HTH 80x95/42x14*	42	14	680
RK-HTH 82x28/32x11	32	11,2	200
RK-HTH 82x34/32x11	32	11,2	250
RK-HTH 82x50/47x13	47	13	360
RK-HTH 82x55/47x14	47	14	400
RK-HTH 82x60/47x16	47	16	440
RK-HTH 82x60/47x14	47	14	440
RK-HTH 82x60/47x13	47	13	440
RK-HTH 82x60/52x19	52	19	440
RK-HTH 82x62/47x17	47	16,5	450
RK-HTH 82x62/47x13	47	13	450
RK-HTH 82x62/47x14	47	13,4	450

\* Hub reset.

For further dimensions, refer to the following page.



**Variants / Accessories**

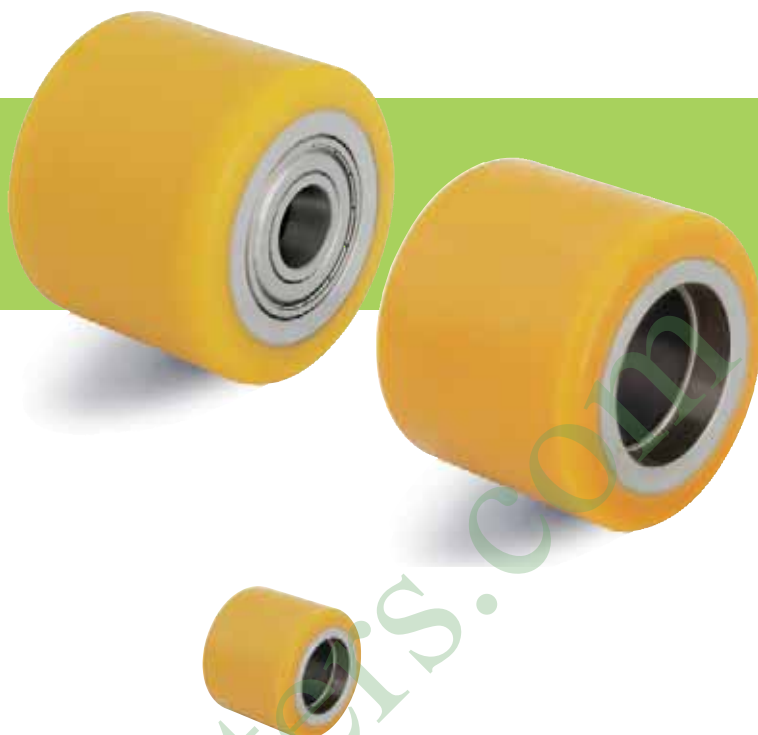
Further dimensions upon request

Splash and pressure washing protected version on page 364-366

Series: HTH, dimensions 82x65 - 85x75 mm

**Rollers for pallet trucks with Blickle Extrathane® polyurethane tread, steel wheel centre**

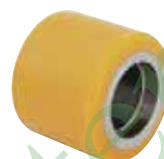
450 - 850 kg



**Treads:** Made of Blickle Extrathane® polyurethane, firmly bonded, colour light brown, non-marking, 92° shore A, elastic, abrasion-resistant, high cut and tear propagation resistance, non-staining, floor-saving, low-noise operation, low rolling resistance, very good chemical connection with the wheel centre.

**Wheel centres:** Tubular steel, supplied with and without ball bearing.

Detailed description: Page 53.



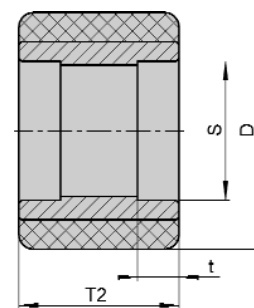
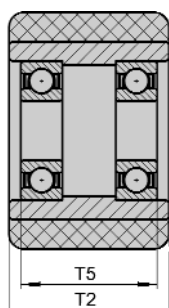
**Rollers for pallet trucks with ball bearing**

Ref. No.	Wheel Ø (D) [mm]	Wheel width (T2) [mm]	Axle bore Ø (d) [mm]	Clamping length (T5) [mm]	Ball bearing
HTH 82x65/20-63K	82	65	20	63	6204 ZZ
HTH 82x65/20-65K	82	65	20	65	6204 ZZ
HTH 82x70/20-62K	82	70	20	62	6204 ZZ
HTH 82x70/20-66K	82	70	20	66	6204 ZZ
HTH 82x70/20-70K	82	70	20	70	6204 ZZ
HTH 82x70/20-72K	82	70	20	72	6204 ZZV
HTH 82x70/20-76K	82	70	20	76	6204 ZZV
HTH 82x72/20-72K	82	72	20	72	6204 ZZ
HTH 82x72/20-74K	82	72	20	74	6204 ZZV
HTH 82x72/20-78K	82	72	20	78	6204 ZZV
HTH 82x80/20-80K	82	80	20	80	6204 ZZ
HTH 82x90/20-90K	82	90	20	90	6204 ZZ
HTH 82x96/20-98K	82	96	20	98	MIC6205ZZ
HTH 82x98/20-98K	82	98	20	98	6204 ZZ
HTH 82x100/20-96K	82	100	20	96	6204 ZZ
HTH 82x100/20-100K	82	100	20	100	6204 ZZ
HTH 82x100/20-104K	82	100	20	104	6204 ZZV
HTH 83x83/25-83K	83	83	25	83	6205 ZZ
HTH 83x115/30-114K	83	115	30	114	6206 ZZ
HTH 84x74/17-78K	84	74	17	78	BT 22053
HTH 85x60/17-60K	85	60	17	60	6303 ZZ
HTH 85x60/20-60K	85	60	20	60	6204 ZZ
HTH 85x65/20-65K	85	65	20	65	6204 ZZ
HTH 85x70/17-62K	85	70	17	62	6303 ZZ
HTH 85x70/17-70K	85	70	17	70	6303 ZZ
HTH 85x70/20-70K	85	70	20	70	6204 ZZ
HTH 85x75/17-75K	85	75	17	75	6303 ZZ
HTH 85x75/20-75K	85	75	20	75	6204 ZZ
HTH 85x75/25-75K	85	75	25	75	6005 ZZ
HTH 85x75/20-51K	85	75	20	51	6004 ZZ

**Rollers for pallet trucks without ball bearing**

Ref. No.	Bearing seat Ø (S) [mm]	Bearing seat depth (t) [mm]	Load capacity [kg]
RK-HTH 82x65/47x15	47	15	470
RK-HTH 82x65/47x14	47	14	470
RK-HTH 82x70/47x18	47	18	510
RK-HTH 82x70/47x16	47	16	510
RK-HTH 82x70/47x14	47	14	510
RK-HTH 82x70/47x12	47	12	510
RK-HTH 82x72/47x14	47	14	530
RK-HTH 82x80/47x14	47	14	580
RK-HTH 82x90/47x14	47	14	660
RK-HTH 82x96/52x14	52	14	700
RK-HTH 82x98/47x14	47	14	720
RK-HTH 82x100/47x16	47	16	730
RK-HTH 82x100/47x14	47	14	730
RK-HTH 83x83/52x15	52	15	620
RK-HTH 83x115/62x17	62	16,5	850
RK-HTH 84x74/42x23	42	23	550
RK-HTH 85x60/47x14	47	14	450
RK-HTH 85x65/47x14	47	14	490
RK-HTH 85x70/47x18	47	18	530
RK-HTH 85x70/47x14	47	14	530
RK-HTH 85x75/47x14	47	14	570
RK-HTH 85x75/42x24	42	24	570

For further dimensions, refer to the following page.



**Variants / Accessories**

Further dimensions upon request

Splash and pressure washing protected version on page 364-366

Further information on the internet: www.blickle.com

Series: HTH, dimensions 85x75 - 90x50 mm

**Rollers for pallet trucks with Blickle Extrathane® polyurethane tread, steel wheel centre**

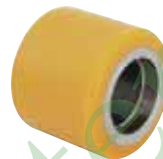
340 - 840 kg



**Treads:** Made of Blickle Extrathane® polyurethane, firmly bonded, colour light brown, non-marking, 92° shore A, elastic, abrasion-resistant, high cut and tear propagation resistance, non-staining, floor-saving, low-noise operation, low rolling resistance, very good chemical connection with the wheel centre.

**Wheel centres:** Tubular steel, supplied with and without ball bearing.

Detailed description: Page 53.



**Rollers for pallet trucks with ball bearing**

Ref. No.	Wheel Ø (D) [mm]	Wheel width (T2) [mm]	Axle bore Ø (d) [mm]	Clamping length (T5) [mm]	Ball bearing
HTH 85x75/20-77K	85	75	20	77	6204 ZZV
HTH 85x75/20-79K	85	75	20	79	6204 ZZV
HTH 85x78/20-78K	85	78	20	78	6204 ZZ
HTH 85x80/20-80K	85	80	20	80	6204 ZZ
HTH 85x80/25-80K	85	80	25	80	6005 ZZ
HTH 85x80/20-84K	85	80	20	84	6204 ZZV
HTH 85x80/25-74K	85	80	25	74	6205 ZZ
HTH 85x85/17-67K	85	85	17	67	6203 ZZ
HTH 85x85/20-85K	85	85	20	85	6204 ZZ
HTH 85x87/17-69K	85	86,5	17	68,5	6203 ZZ
HTH 85x87/17-89K	85	86,5	17	88,5	6303 ZZ
HTH 85x90/17-82K	85	90	17	82	6303 ZZ
HTH 85x90/17-90K	85	90	17	90	6303 ZZ
HTH 85x90/20-90K	85	90	20	90	6204 ZZ
HTH 85x90/20-92K	85	90	20	92	6204 ZZV
HTH 85x90/20-83K	85	90	20	83	6204 ZZ
HTH 85x95/20-94K	85	95	20	94,4	6204 ZZ
HTH 85x100/17-100K	85	100	17	100	6303 ZZ
HTH 85x100/20-100K	85	100	20	100	6204 ZZ
HTH 85x100/20-102K	85	100	20	102	6204 ZZV
HTH 85x100/25-100K	85	100	25	100	6005 ZZ
HTH 85x100/20-98K	85	100	20	98	6204 ZZ
HTH 85x100/20-104K	85	100	20	104	6204 ZZV
HTH 85x110/25-110K	85	110	25	110	6005 ZZ
HTH 86x99/17-103K	86	99	17	103	BT 22053
HTH 90x42/20-40K	90	42	20	40	6204 ZZ
HTH 90x50/20-48K	90	50	20	48	6204 ZZ

**Rollers for pallet trucks without ball bearing**

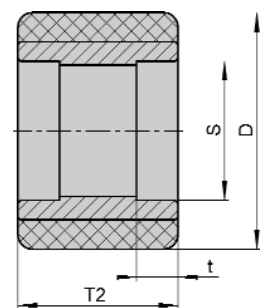
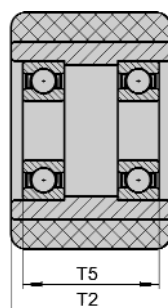
Ref. No.	Bearing seat Ø (S) [mm]	Bearing seat depth (t) [mm]	Load capacity [kg]
RK-HTH 85x75/47x15	47	15	570
RK-HTH 85x78/47x14	47	14	590
RK-HTH 85x80/47x14	47	14	610
RK-HTH 85x80/47x15	47	15	610
RK-HTH 85x80/52x18	52	18	610
RK-HTH 85x85/40x21	40	21	650
RK-HTH 85x85/47x14	47	14	650
RK-HTH 85x87/40x21	40	21	660
RK-HTH 85x87/47x14	47	14	660
RK-HTH 85x90/47x18	47	18	680
RK-HTH 85x90/47x14	47	14	680
RK-HTH 85x90/47x17	47	17,5	680
RK-HTH 85x95/47x14	47	14,3	720
RK-HTH 85x100/47x14	47	14	760
RK-HTH 85x100/47x15	47	15	760
RK-HTH 85x110/47x14	47	14	840
RK-HTH 86x99/42x23	42	23	760
RK-HTH 90x42/47x15	47	15	340
RK-HTH 90x50/47x15	47	15	400

Further information on the Internet: www.blickle.com

**Variants / Accessories**


Further dimensions upon request

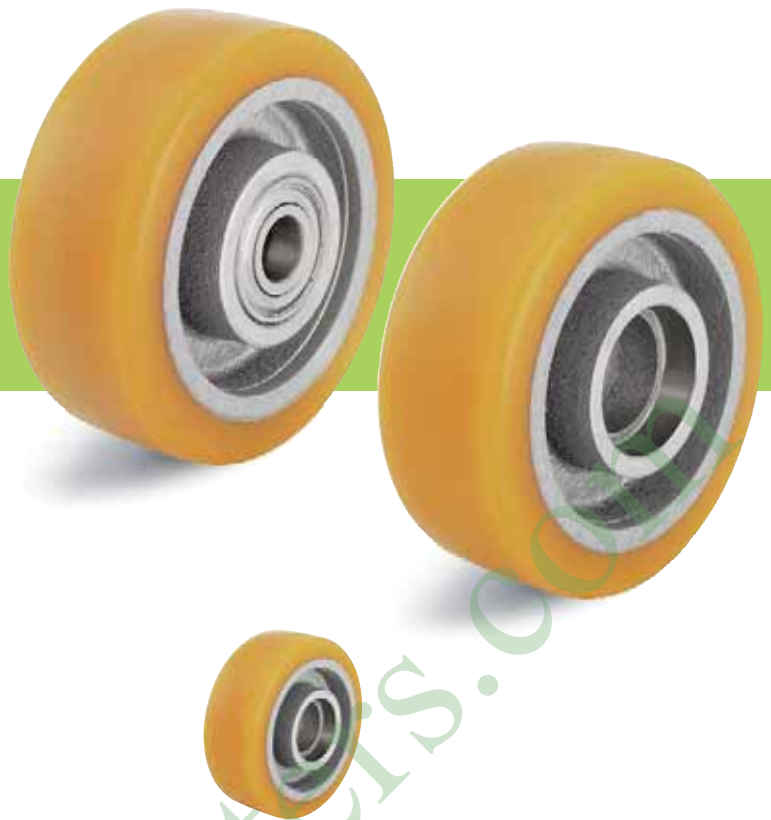
Splash and pressure washing protected version on page 364-366



Series: ALTH, VSTH, GTH

**Heavy duty wheels with Blickle Extrathane® polyurethane tread, aluminium, steel or cast iron wheel centre**

 350 - 1050 kg



**Treads:** Made of Blickle Extrathane® polyurethane, firmly bonded, colour light brown, non-marking, 92° shore A, elastic, abrasion-resistant, high cut and tear propagation resistance, non-staining, floor-saving, low-noise operation, low rolling resistance, very good chemical connection with the wheel centre.

**Wheel centres: ALTH series:** Made of aluminium die-cast, corrosion-resistant, supplied with or without ball bearing. Detailed description: Page 44.

**Serie VSTH:** Made of steel, supplied with or without ball bearing.

Detailed description: Page 53.

**GTH series:** Made of grey cast iron, lacquered - colour silver, supplied with or without ball bearing.

Detailed description: Page 44.



**Wheels with ball bearing**

**Wheels without ball bearing**

Ref. No.	Wheel Ø (D) [mm]	Wheel width (T2) [mm]	Axle bore Ø (d) [mm]	Clamping length (T5) [mm]	Hub length (T1) [mm]	Ball bearing	Ref. No.	Bearing seat Ø (S) [mm]	Bearing seat depth (t) [mm]	Load capacity [kg]
ALTH 101/15K	100	40	15	40	40	6002 ZZ	RK-ALTH 101x40/32x9	32	9	350
VSTH 100x40/20-38K	100	40	20	38	40	6204 ZZ	RK-VSTH 100x40/47x15	47	15	360
VSTH 100x40/20-40K	100	40	20	40	40	6204 ZZ	RK-VSTH 100x40/47x14	47	14	360
VSTH 100x40/20-43K	100	40	20	43	45	6204 ZZ	RK-VSTH 100x40/47x15-45	47	15	360
VSTH 100x40/20-44K	100	40	20	44	44	6004 ZZ	RK-VSTH 100x40/42x12-44	42	12	360
VSTH 100x40/25-40K	100	40	25	40	40	6205 ZZ	RK-VSTH 100x40/52x15	52	15	360
GTH 100x50/20-50K	100	50	20	50	50	6004 ZZ	RK-GTH 100x50/42x12	42	12	450
VSTH 102x64/25-64K	102	64	25	64	64	6205 ZZ	RK-VSTH 102x64/52x15	52	15	580
VSTH 108x73/25-63K	108	73	25	63	73	6205 ZZ	RK-VSTH 108x73/52x20	52	20	700
GTH 110x50/20-46K	110	50	20	46	50	6204 ZZ	RK-GTH 110x50/47x16	47	16	490
VSTH 120x50/25-50K	120	50	25	50	50	6205 ZZ	RK-VSTH 120x50/52x15	52	15	540
GTH 125x40/20-48K	125	40	20	48	50	6204 ZZ	RK-GTH 125x40/47x15	47	15	450
VSTH 125x43/20-49K	125	43	20	49	43	6204 ZZV	RK-VSTH 125x43/47x12	47	12	480
GTH 125x50/25-50K	125	50	25	50	50	6205 ZZ	RK-GTH 125x50/52x15	52	15	560
ALTH 140/20K	140	54	20	60	60	6204 ZZ	RK-ALTH 140x54/47x14	47	14	500
GTH 140x54/20-60K	140	54	20	60	60	6204 ZZ	RK-GTH 140x54/47x14	47	14	600
GTH 140x59/20-68K	140	59	20	68	68	6304 ZZ	RK-GTH 140x59/52x15	52	15	740
GTH 140x59/25-54K	140	59	25	54	68	6205 ZZ	RK-GTH 140x59/52x22	52	22	740
GTH 150x50/20-50K	150	50	20	50	50	6304 ZZ	RK-GTH 150x50/52x15	52	15	670
GTH 150x50/20-58K	150	50	20	58	60	6204 ZZ	RK-GTH 150x50/47x15	47	15	670
GTH 150x54/20-58K	150	54	20	58	60	6204 ZZ	RK-GTH 150x54/47x15	47	15	720
GTH 150x54/20-60K	150	54	20	60	60	6204 ZZ	RK-GTH 150x54/47x14	47	14	720
GTH 150x55/25-59K	150	55	25	59	57	6205 ZZ	RK-GTH 150x55/52x14	52	14	740
GTH 150x55/20-60K	150	55	20	60	60	6204 ZZ	RK-GTH 150x55/47x14	47	14	740
GTH 180x65/25-75K	180	65	25	75	75	6205 ZZ	RK-GTH 180x65/52x15	52	15	1050


**Variants / Accessories**

Further dimensions upon request



Series: HTHW, dimensions 82x60 - 85x70 mm

**Rollers for pallet trucks with Blickle Extrathane® polyurethane tread, steel wheel centre, splash and pressure washing protection**

 440 - 800 kg



**Treads:** Made of Blickle Extrathane® polyurethane, firmly bonded, colour light brown, non-marking, 92° shore A, elastic, abrasion-resistant, high cut and tear propagation resistance, non-staining, floor-saving, low-noise operation, low rolling resistance, very good chemical connection with the wheel centre.

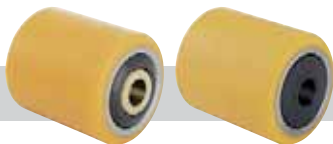
**Wheel centres:** Made of tubular steel, with double-sealed ball bearing and reinforced nylon bushing, slipping rubber sealing. The combination of clearance sealing and slipping sealing guarantees optimum ball bearing protection against splash and pressure washing and contamination. Detailed description: Page 53.

**Rollers for pallet trucks**

Ref. No.	Wheel Ø (D) [mm]	Wheel width (T2) [mm]	Load capacity [kg]	Bearing version	Axle bore Ø (d) [mm]	Clamping length (T5) [mm]
HTHW 82x60/12-64K	82	60	440	Ball bearing	12	64
HTHW 82x60/20-64K	82	60	440	Ball bearing	20	64
HTHW 82x70/20-74K	82	70	510	Ball bearing	20	74
HTHW 82x82/20-86K	82	82	600	Ball bearing	20	86
HTHW 82x95/12-100K	82	95	700	Ball bearing	12	100
HTHW 82x100/20-104K	82	100	730	Ball bearing	20	104
HTHW 82x110/25-115K	82	110	800	Ball bearing	25	115
HTHW 85x60/12-65K	85	60	450	Ball bearing	12	65
HTHW 85x60/17-62K	85	60	450	Ball bearing	17	62
HTHW 85x60/17-65K	85	60	450	Ball bearing	17	65
HTHW 85x60/20-65K	85	60	450	Ball bearing	20	65
HTHW 85x60/25-65K	85	60	450	Ball bearing	25	65
HTHW 85x65/12-70K	85	65	490	Ball bearing	12	70
HTHW 85x65/17-70K	85	65	490	Ball bearing	17	70
HTHW 85x65/20-70K	85	65	490	Ball bearing	20	70
HTHW 85x65/25-70K	85	65	490	Ball bearing	25	70
HTHW 85x70/12-75K	85	70	530	Ball bearing	12	75
HTHW 85x70/17-75K	85	70	530	Ball bearing	17	75
HTHW 85x70/20-75K	85	70	530	Ball bearing	20	75
HTHW 85x70/25-75K	85	70	530	Ball bearing	25	75

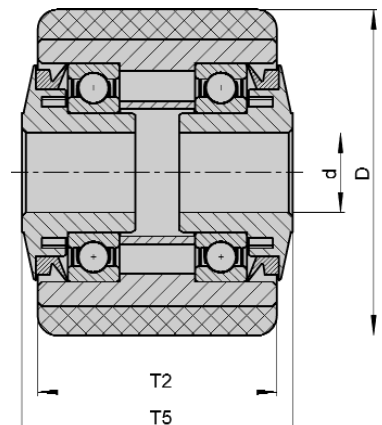
For further dimensions, refer to the following page.

**Variants / Accessories**



With steel bushings      Further dimensions


Technical description page	53	
Ref. No. extension	-S	
Available for wheel Ø [mm]	Upon request	Upon request

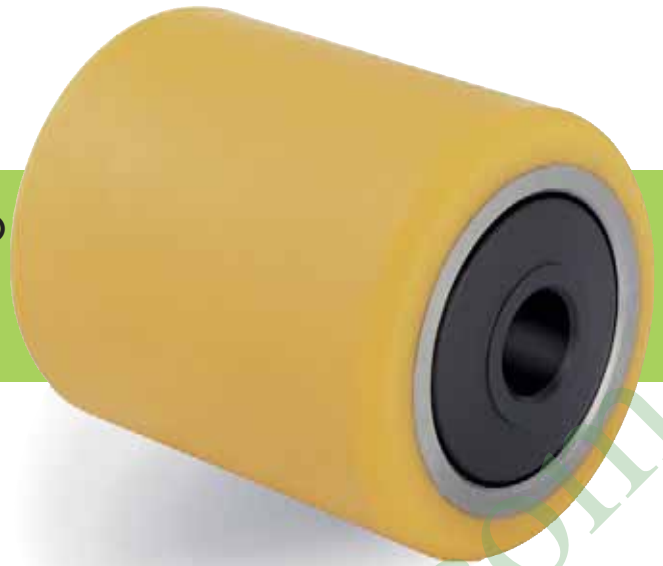


Further information on the Internet: www.blickle.com

Series: HTHW, dimensions 85x75 - 85x95 mm

**Rollers for pallet trucks with Blickle Extrathane® polyurethane tread, steel wheel centre, splash and pressure washing protection**

 570 - 720 kg



**Treads:** Made of Blickle Extrathane® polyurethane, firmly bonded, colour light brown, non-marking, 92° shore A, elastic, abrasion-resistant, high cut and tear propagation resistance, non-staining, floor-saving, low-noise operation, low rolling resistance, very good chemical connection with the wheel centre.

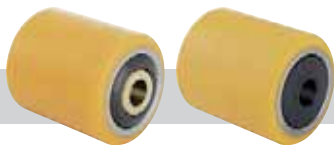
**Wheel centres:** Made of tubular steel, with double-sealed ball bearing and reinforced nylon bushing, slipping rubber sealing. The combination of clearance sealing and slipping sealing guarantees optimum ball bearing protection against splash and pressure washing and contamination. Detailed description: Page 53.

**Rollers for pallet trucks**

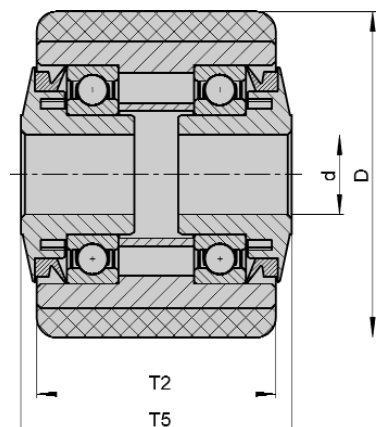
Ref. No.	Wheel Ø (D) [mm]	Wheel width (T2) [mm]	Load capacity [kg]	Bearing version	Axle bore Ø (d) [mm]	Clamping length (T5) [mm]
HTHW 85x75/12-80K	85	75	570	Ball bearing	12	80
HTHW 85x75/17-80K	85	75	570	Ball bearing	17	80
HTHW 85x75/20-80K	85	75	570	Ball bearing	20	80
HTHW 85x75/25-80K	85	75	570	Ball bearing	25	80
HTHW 85x80/12-85K	85	80	610	Ball bearing	12	85
HTHW 85x80/17-82K	85	80	610	Ball bearing	17	82
HTHW 85x80/17-85K	85	80	610	Ball bearing	17	85
HTHW 85x80/20-85K	85	80	610	Ball bearing	20	85
HTHW 85x80/25-85K	85	80	610	Ball bearing	25	85
HTHW 85x85/12-90K	85	85	650	Ball bearing	12	90
HTHW 85x85/17-90K	85	85	650	Ball bearing	17	90
HTHW 85x85/20-90K	85	85	650	Ball bearing	20	90
HTHW 85x85/25-90K	85	85	650	Ball bearing	25	90
HTHW 85x90/12-95K	85	90	680	Ball bearing	12	95
HTHW 85x90/17-95K	85	90	680	Ball bearing	17	95
HTHW 85x90/20-95K	85	90	680	Ball bearing	20	95
HTHW 85x90/25-95K	85	90	680	Ball bearing	25	95
HTHW 85x95/12-100K	85	95	720	Ball bearing	12	100
HTHW 85x95/17-100K	85	95	720	Ball bearing	17	100
HTHW 85x95/20-100K	85	95	720	Ball bearing	20	100
HTHW 85x95/25-100K	85	95	720	Ball bearing	25	100

For further dimensions, refer to the following page.

**Variants / Accessories**




	With steel bushings	Further dimensions
Technical description page	53	
Ref. No. extension	-S	
Available for wheel Ø [mm]	Upon request	Upon request





Series: HTHW, dimensions 85x100 - 85x110 mm

**Rollers for pallet trucks with Blickle Extrathane® polyurethane tread, steel wheel centre, splash and pressure washing protection**

 760 - 840 kg



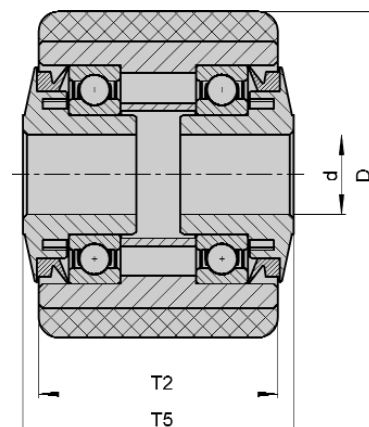
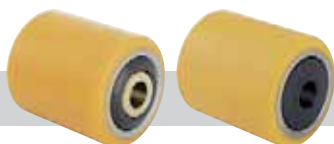
**Treads:** Made of Blickle Extrathane® polyurethane, firmly bonded, colour light brown, non-marking, 92° shore A, elastic, abrasion-resistant, high cut and tear propagation resistance, non-staining, floor-saving, low-noise operation, low rolling resistance, very good chemical connection with the wheel centre.

**Wheel centres:** Made of tubular steel, with double-sealed ball bearing and reinforced nylon bushing, slipping rubber sealing. The combination of clearance sealing and slipping sealing guarantees optimum ball bearing protection against splash and pressure washing and contamination. Detailed description: Page 53.

**Rollers for pallet trucks**

Ref. No.	Wheel Ø (D) [mm]	Wheel width (T2) [mm]	Load capacity [kg]	Bearing version	Axle bore Ø (d) [mm]	Clamping length (T5) [mm]
HTHW 85x100/12-105K	85	100	760	Ball bearing	12	105
HTHW 85x100/17-105K	85	100	760	Ball bearing	17	105
HTHW 85x100/20-105K	85	100	760	Ball bearing	20	105
HTHW 85x100/25-102K	85	100	760	Ball bearing	25	102
HTHW 85x100/25-105K	85	100	760	Ball bearing	25	105
HTHW 85x105/12-110K	85	105	800	Ball bearing	12	110
HTHW 85x105/17-110K	85	105	800	Ball bearing	17	110
HTHW 85x105/20-110K	85	105	800	Ball bearing	20	110
HTHW 85x105/25-110K	85	105	800	Ball bearing	25	110
HTHW 85x110/12-115K	85	110	840	Ball bearing	12	115
HTHW 85x110/17-115K	85	110	840	Ball bearing	17	115
HTHW 85x110/20-115K	85	110	840	Ball bearing	20	115
HTHW 85x110/25-115K	85	110	840	Ball bearing	25	115

**Variants / Accessories**




Further information on the Internet: www.blickle.com

21

	With steel bushings	Further dimensions
Technical description page	53	
Ref. No. extension	-S	
Available for wheel Ø [mm]	Upon request	Upon request

Series: HPO, dimensions 80x61 - 82x79 mm

**Nylon rollers for pallet trucks**

 600 - 800 kg



Made of high-quality nylon, colour natural white, high abrasion resistance, low rolling resistance, smooth running performance on even floors, shock and impact-resistant, corrosion-resistant, high chemical resistance to alcohol, salts, greases and certain acids and lyes in diluted concentration, ball bearing.  
Detailed description: Page 53.

**Rollers for pallet trucks**

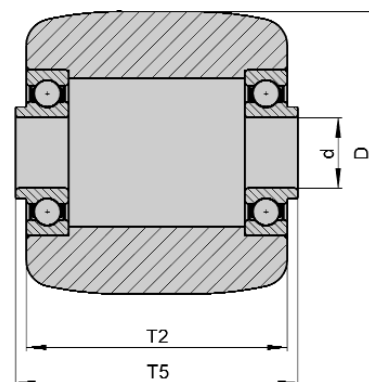
Ref. No.	Wheel Ø (D) [mm]	Wheel width (T2) [mm]	Load capacity [kg]	Ball bearing	Axle bore Ø (d) [mm]	Clamping length (T5) [mm]
HPO 80x61/20-67K	80	60,5	600	6204 ZZV	20	66,5
HPO 80x70/20-76K	80	70	650	6204 ZZV	20	76
HPO 80x74/20-80K	80	74	700	6204 ZZV	20	80
HPO 82x54/20-54K	82	54	600	6204 ZZ	20	54
HPO 82x54/20-60K	82	54	600	6204 ZZV	20	60
HPO 82x60/20-60K	82	60	610	6204 ZZ	20	60
HPO 82x60/25-60K	82	60	610	6005 ZZ	25	60
HPO 82x62/20-65K	82	62	620	6204 ZZV	20	65
HPO 82x64/20-64K	82	64	650	6204 2RS	20	64
HPO 82x66/20-72K	82	66	675	6204 ZZV	20	72
HPO 82x68/20-74K	82	68	675	6204 ZZV	20	74
HPO 82x70/20-62K	82	70	700	6204 ZZ	20	62
HPO 82x70/20-70K	82	70	700	6204 ZZ	20	70
HPO 82x73/20-79K	82	72,5	700	6204 ZZV	20	78,5
HPO 82x75/20-75K	82	75	750	6204 ZZ	20	75
HPO 82x79/20-85K	82	79	800	6204 ZZV	20	85

For further dimensions, refer to the following page.

**Variants / Accessories**



	With stainless steel ball bearing*	Further dimensions
Technical description page	57 + 53	
Ref. No. extension	-XK	
Available for wheel Ø [mm]	Upon request	Upon request



\* Caution! For reduced load capacities, refer to page 53.

Series: HPO, dimensions 82x80 - 85x100 mm

**Nylon rollers for pallet trucks**

 650 - 1100 kg

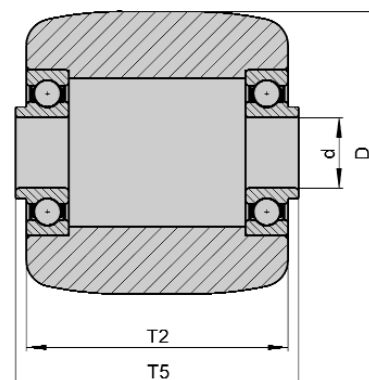


Made of high-quality nylon, colour natural white, high abrasion resistance, low rolling resistance, smooth running performance on even floors, shock and impact-resistant, corrosion-resistant, high chemical resistance to alcohol, salts, greases and certain acids and lyes in diluted concentration, ball bearing.  
Detailed description: Page 53.

**Rollers for pallet trucks**

Ref. No.	Wheel Ø (D) [mm]	Wheel width (T2) [mm]	Load capacity [kg]	Ball bearing	Axle bore Ø (d) [mm]	Clamping length (T5) [mm]
HPO 82x80/20-80K	82	80	800	6204 ZZ	20	80
HPO 82x84/20-84K	82	84	850	6204 ZZ	20	84
HPO 82x91/20-97K	82	91	900	6204 ZZV	20	97
HPO 82x93/20-93K	82	93	900	6204 ZZ	20	93
HPO 82x98/20-98K	82	98	975	6204 ZZ	20	98
HPO 82x98/20-98K-1	82	98	975	MIC 6005 2RS	20	98
HPO 82x100/20-100K	82	100	1000	6204 ZZ	20	100
HPO 85x60/17-60K	85	60	650	6303 ZZ	17	60
HPO 85x60/20-60K	85	60	650	6204 ZZ	20	60
HPO 85x75/17-78K	85	75	800	BT 22053	17	78
HPO 85x75/20-75K	85	75	800	6204 ZZ	20	75
HPO 85x90/20-90K	85	90	950	6204 ZZ	20	90
HPO 85x100/17-103K	85	100	1100	BT 22053	17	103
HPO 85x100/20-100K	85	100	1100	6204 ZZ	20	100

**Variants / Accessories**



Further information on the Internet: www.blickle.com

21

	With stainless steel ball bearing*	Further dimensions
Technical description page	57 + 53	
Ref. No. extension	-XK	
Available for wheel Ø [mm]	Upon request	Upon request

\* Caution! For reduced load capacities, refer to page 53.

Series: ALEV, ALTH, PO

**Steer wheels for pallet trucks**

 450 - 800 kg



**ALEV series:** Elastic solid rubber tyres, colour black, smooth rolling quality, 65° shore A, firmly vulcanised onto a wheel centre made of aluminium die-cast, ball bearing.  
Detailed description: Page 37

**ALTH series:** Tread made of Blicke Extrathane® polyurethane, colour light brown, non-marking, 92° shore A, elastic, abrasion-resistant, firmly bonded onto a wheel centre made of aluminium die-cast, ball bearing.  
Detailed description: Page 44

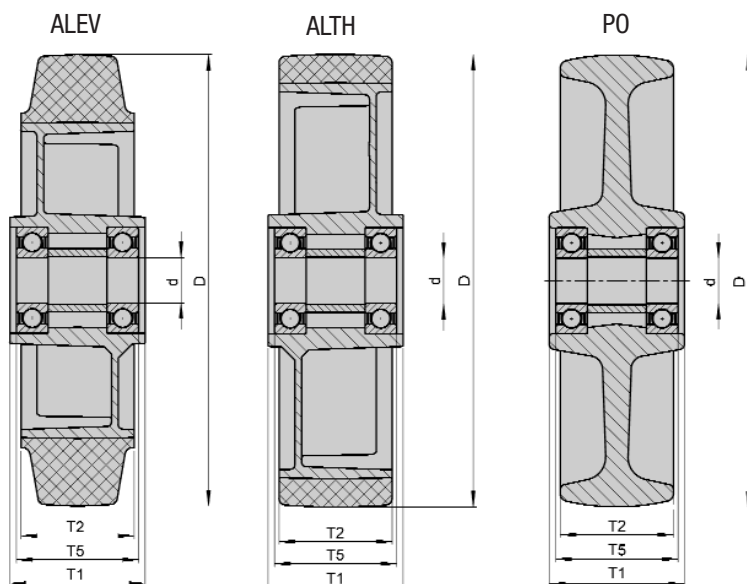
**PO series:** Made of high-quality nylon, colour natural white, high abrasion resistance, low rolling resistance, shock and impact-resistant, corrosion-resistant, ball bearing.  
Detailed description: Page 47.

**Wheels**

Ref. No.	Wheel Ø (D) [mm]	Wheel width (T2) [mm]	Load capacity [kg]	Ball bearing	Axle bore Ø (d) [mm]	Hub length (T1) [mm]	Clamping length (T5) [mm]
<b>ALEV series</b>							
ALEV 200x50/20-54K	200	50	450	6204 ZZ	20	60	54
ALEV 200x50/25-50K	200	50	450	6005 ZZ	25	60	50
<b>ALTH series</b>							
ALTH 180x50/20-54K	180	50	600	6204 ZZ	20	60	54
ALTH 180x50/25-50K	180	50	600	6005 ZZ	25	60	50
ALTH 200x50/20-40K	200	50	800	6204 ZZ	20	50	40
ALTH 200x50/20-54K	200	50	800	6204 ZZ	20	60	54
ALTH 200x50/25-36K	200	50	800	6005 ZZ	25	50	36
ALTH 200x50/25-50K	200	50	800	6005 ZZ	25	60	50
<b>PO series</b>							
PO 200x50/20-54K	200	50	600	6204 ZZ	20	60	54
PO 200x50/25-50K	200	50	600	6005 ZZ	25	60	50

**Variants / Accessories**

	With stainless steel ball bearing
Technical description page	57
Ref. No. extension	-XK
Available for wheel Ø [mm]	Upon request



Further information on the internet: www.blickle.com